

NEW

## SG-Pgw2 voice alarm device



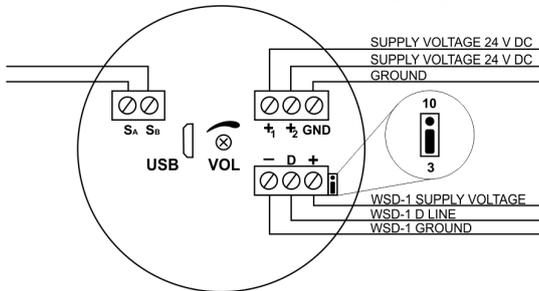
### Product description

- **up to 10 announced messages**
- alarm signal sequence in accordance with EN 54-3:2001+A2:2006
- easy message programming (as in a mass storage device)
- \*.mp3 message compatibility
- high message sound quality
- 18 alarm sound patterns to choose from
- **auto-addressing in a network (no need to program signalling devices as master/slave)**
- synchronisation of signalling devices in a network
- **automatic dissemination of messages to all signalling devices in a network**
- compatible with the WSD-1 switch
- undervoltage-lockout (to test line continuity)
- self-diagnostics and acoustic signalling
- **built-in potentiometer to control sound level**
- high volume of alarm signal

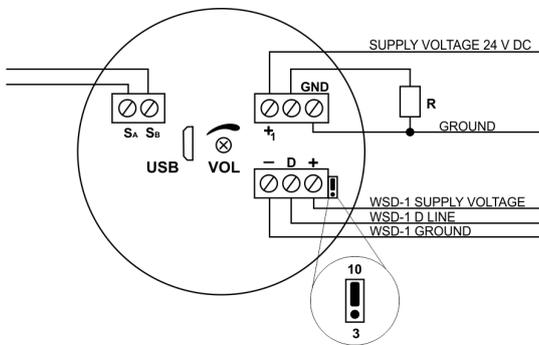
NEW

Connection diagram

Control - up to 3 voice announcements:



Control - up to 10 voice announcements:



Technical data

Type	voice
Supply voltage	16-32,5V DC
Current consumption in off state	0mA
Current consumption in on state	<0,3A
Power consumption in on state	<7,2W
Sound output at 1m	>90dB
Device type	TypeA
Working temperature range	-25 <sup>0</sup> +55 <sup>0</sup> C
Ingress protection	IP31C
Relative humidity	<90%przy+40 <sup>0</sup> C
Max. cross section	2,5mm <sup>2</sup>
Weight	~350g
Dimensions	Ø115x80mm
Cooperating cable junction box	PIP-3AN

v01.01.03.2017