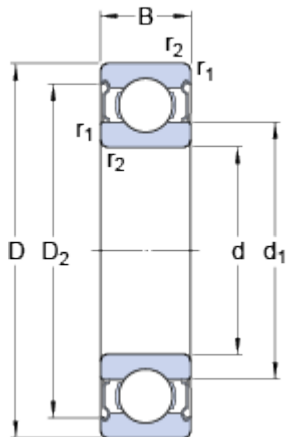


16002 - 2 Z

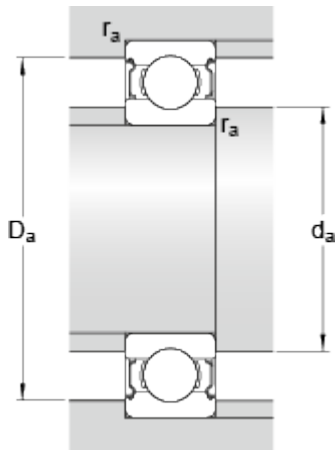
SKF Explorer

Dimensions



d	15	mm
D	32	mm
B	8	mm
d ₁	≈ 20.5	mm
D ₂	≈ 28.2	mm
r _{1,2}	min. 0.3	mm

Abutment dimensions



d _a	min. 17	mm
d _a	max. 20.1	mm
D _a	max. 30	mm
r _a	max. 0.3	mm

Calculation data

Basic dynamic load rating	C	5.85	kN
Basic static load rating	C ₀	2.85	kN
Fatigue load limit	P _u	0.12	kN
Reference speed		50000	r/min
Limiting speed		26000	r/min
Calculation factor	k _r	0.02	
Calculation factor	f ₀	14	

Mass

Mass bearing	0.025	kg
--------------	--------------	----

