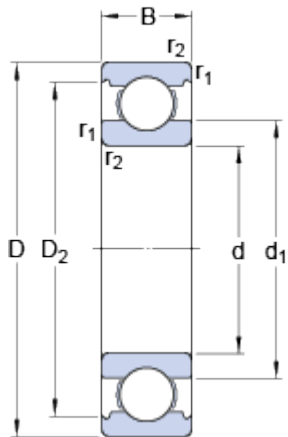


16005

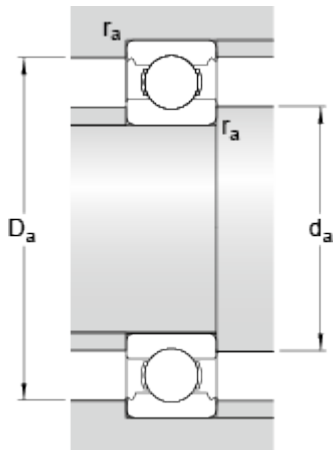
SKF Explorer

Dimensions



d	25	mm
D	47	mm
B	8	mm
d ₁	≈ 33.35	mm
D ₂	≈ 42.4	mm
r _{1,2}	min. 0.3	mm

Abutment dimensions



d _a	min. 27	mm
D _a	max. 45	mm
r _a	max. 0.3	mm

Calculation data

Basic dynamic load rating	C	8.06	kN
Basic static load rating	C ₀	4.75	kN
Fatigue load limit	P _u	0.212	kN
Reference speed		32000	r/min
Limiting speed		20000	r/min
Calculation factor	k _r	0.02	
Calculation factor	f ₀	15	

Mass

Mass bearing	0.055	kg
--------------	--------------	----

