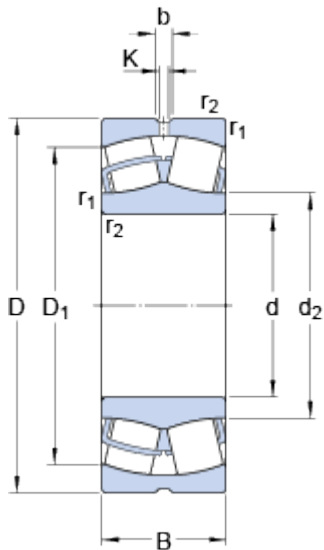


# 22209 E

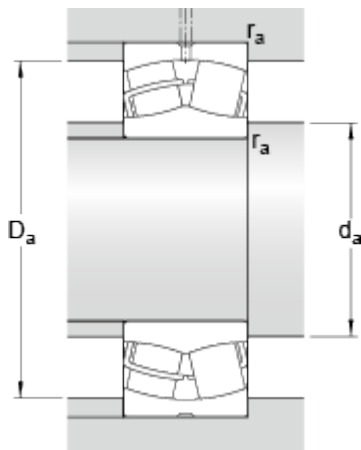
SKF Explorer

## Dimensions



d	<b>45</b>	mm
D	<b>85</b>	mm
B	<b>23</b>	mm
d <sub>2</sub>	≈ <b>54.4</b>	mm
D <sub>1</sub>	≈ <b>74.4</b>	mm
b	<b>5.5</b>	mm
K	<b>3</b>	mm
r <sub>1,2</sub>	min. <b>1.1</b>	mm

## Abutment dimensions



d <sub>a</sub>	min. <b>52</b>	mm
D <sub>a</sub>	max. <b>78</b>	mm
r <sub>a</sub>	max. <b>1</b>	mm

## Calculation data

Basic dynamic load rating	C	<b>104</b>	kN
Basic static load rating	C <sub>0</sub>	<b>100</b>	kN
Fatigue load limit	P <sub>u</sub>	<b>10.8</b>	kN
Reference speed		<b>7500</b>	r/min
Limiting speed		<b>10000</b>	r/min
Calculation factor	e	<b>0.26</b>	
Calculation factor	Y <sub>1</sub>	<b>2.6</b>	

Calculation factor

$Y_2$

**3.9**

Calculation factor

$Y_0$

**2.5**

## Mass

---

Mass bearing

**0.58**

kg

---