

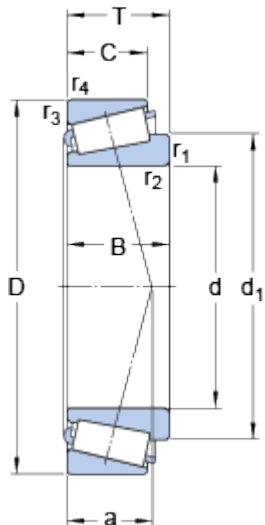
30203

SKF Explorer

Dimension series

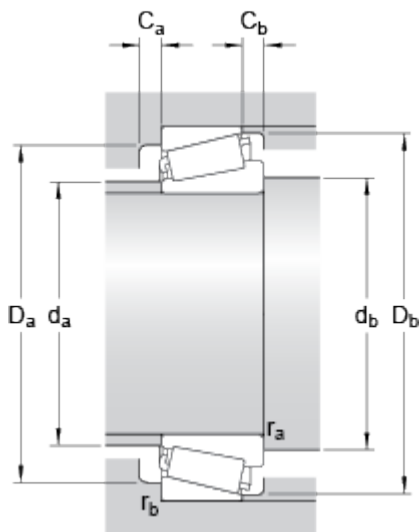
2 DB

Dimensions



d	17	mm
D	40	mm
T	13.25	mm
d ₁	≈ 29	mm
B	12	mm
C	11	mm
r _{1,2}	min. 1	mm
r _{3,4}	min. 1	mm
a	9.515	mm

Abutment dimensions



d _a	max. 23	mm
d _b	min. 23.5	mm
D _a	min. 34	mm
D _a	max. 34.5	mm
D _b	min. 37	mm
C _a	min. 2	mm
C _b	min. 2	mm
r _a	max. 1	mm

r_b

max.

1

mm

Calculation data

Basic dynamic load rating	C	23.4	kN
Basic static load rating	C ₀	18.6	kN
Fatigue load limit	P _u	1.83	kN
Reference speed		15000	r/min
Limiting speed		18000	r/min
Calculation factor	e	0.35	
Calculation factor	Y	1.7	
Calculation factor	Y ₀	0.9	

Mass

Mass bearing		0.079	kg
--------------	--	--------------	----
