

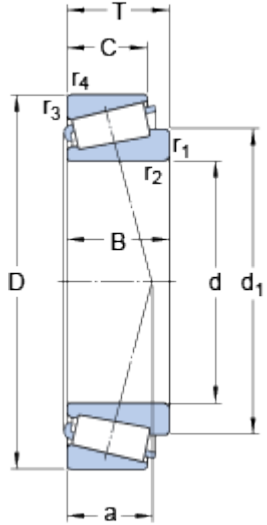
30209

SKF Explorer

Dimension series

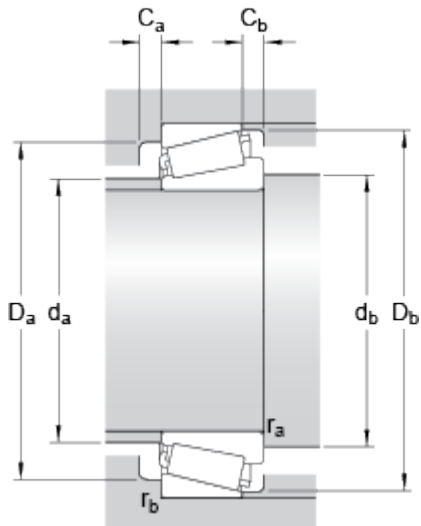
3 DB

Dimensions



d	45	mm
D	85	mm
T	20.75	mm
d ₁	≈ 63.1	mm
B	19	mm
C	16	mm
r _{1,2}	min. 1.5	mm
r _{3,4}	min. 1.5	mm
a	17.829	mm

Abutment dimensions



d _a	max. 54	mm
d _b	min. 53.5	mm
D _a	min. 74	mm
D _a	max. 77.5	mm
D _b	min. 80	mm
C _a	min. 3	mm
C _b	min. 4.5	mm
r _a	max. 1.5	mm

r_b

max.

mm

1.5**Calculation data**

Basic dynamic load rating	C	81.6	kN
Basic static load rating	C₀	76.5	kN
Fatigue load limit	P _u	8.65	kN
Reference speed		6300	r/min
Limiting speed		8000	r/min
Calculation factor	e	0.4	
Calculation factor	Y	1.5	
Calculation factor	Y₀	0.8	

Mass

Mass bearing		0.47	kg
--------------	--	-------------	----
