

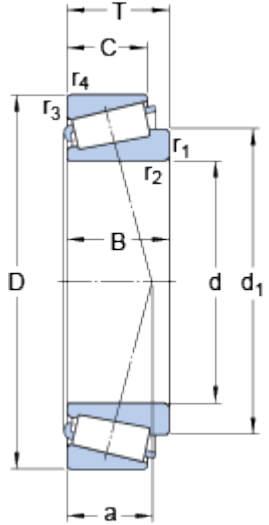
30307

SKF Explorer

Dimension series

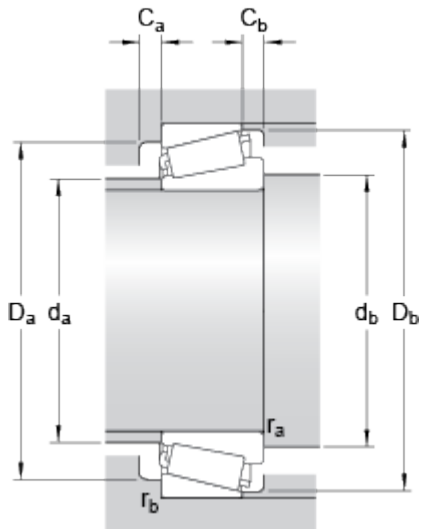
2 FB

Dimensions



d	35	mm
D	80	mm
T	22.75	mm
d ₁	≈ 54.55	mm
B	21	mm
C	18	mm
r _{1,2}	min. 2	mm
r _{3,4}	min. 1.5	mm
a	16.181	mm

Abutment dimensions



d _a	max. 46	mm
d _b	min. 44.5	mm
D _a	min. 70	mm
D _a	max. 72.5	mm
D _b	min. 74	mm
C _a	min. 3	mm
C _b	min. 4.5	mm
r _a	max. 2	mm

r_b

max.

mm

1.5**Calculation data**

Basic dynamic load rating	C	88.9	kN
Basic static load rating	C_0	73.5	kN
Fatigue load limit	P_u	8.3	kN
Reference speed		7500	r/min
Limiting speed		9000	r/min
Calculation factor	e	0.31	
Calculation factor	Y	1.9	
Calculation factor	Y_0	1.1	

Mass

Mass bearing		0.51	kg
--------------	--	-------------	----
