

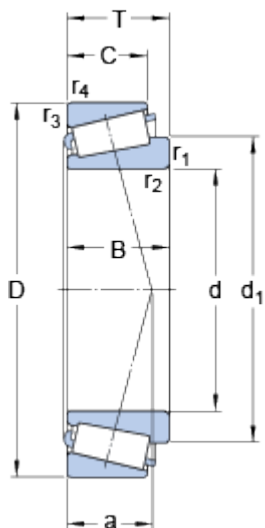
32011 X

SKF Explorer

Dimension series

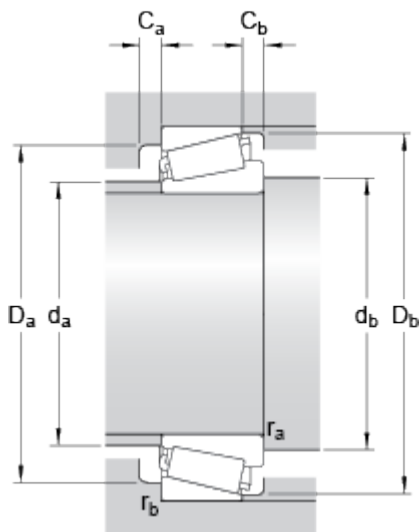
3 CC

Dimensions



d	55	mm
D	90	mm
T	23	mm
d ₁	≈ 73.3	mm
B	23	mm
C	17.5	mm
r _{1,2}	min. 1.5	mm
r _{3,4}	min. 1.5	mm
a	19.453	mm

Abutment dimensions



d _a	max. 63	mm
d _b	min. 64	mm
D _a	min. 81	mm
D _a	max. 82	mm
D _b	min. 86	mm
C _a	min. 4	mm
C _b	min. 5.5	mm
r _a	max. 1.5	mm

r_b

max.

mm

1.5**Calculation data**

Basic dynamic load rating	C	99.4	kN
Basic static load rating	C₀	116	kN
Fatigue load limit	P _u	12.9	kN
Reference speed		5600	r/min
Limiting speed		7000	r/min
Calculation factor	e	0.4	
Calculation factor	Y	1.5	
Calculation factor	Y₀	0.8	

Mass

Mass bearing		0.56	kg
--------------	--	-------------	----
