

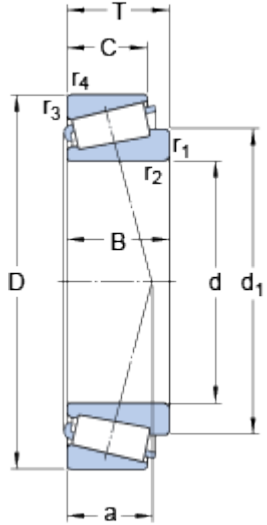
# 32207

SKF Explorer

Dimension series

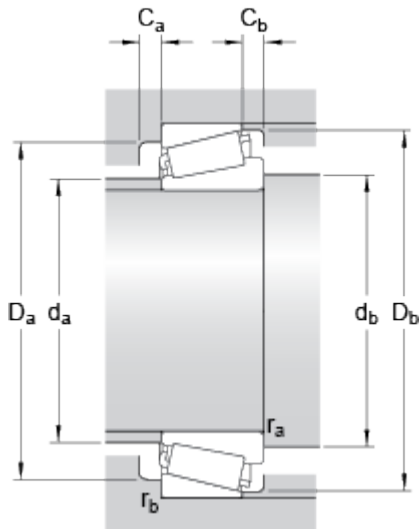
**3 DC**

## Dimensions



d	<b>35</b>	mm
D	<b>72</b>	mm
T	<b>24.25</b>	mm
d <sub>1</sub>	≈ <b>52.4</b>	mm
B	<b>23</b>	mm
C	<b>19</b>	mm
r <sub>1,2</sub>	min. <b>1.5</b>	mm
r <sub>3,4</sub>	min. <b>1.5</b>	mm
a	<b>17.442</b>	mm

## Abutment dimensions



d <sub>a</sub>	max. <b>43</b>	mm
d <sub>b</sub>	min. <b>43.5</b>	mm
D <sub>a</sub>	min. <b>61</b>	mm
D <sub>a</sub>	max. <b>64.5</b>	mm
D <sub>b</sub>	min. <b>67</b>	mm
C <sub>a</sub>	min. <b>3</b>	mm
C <sub>b</sub>	min. <b>5</b>	mm
r <sub>a</sub>	max. <b>1.5</b>	mm

$r_b$ 

max.

mm

**1.5****Calculation data**

---

Basic dynamic load rating	C	<b>81.2</b>	kN
Basic static load rating	$C_0$	<b>78</b>	kN
Fatigue load limit	$P_u$	<b>8.5</b>	kN
Reference speed		<b>8000</b>	r/min
Limiting speed		<b>9500</b>	r/min
Calculation factor	e	<b>0.37</b>	
Calculation factor	Y	<b>1.6</b>	
Calculation factor	$Y_0$	<b>0.9</b>	

**Mass**

---

Mass bearing		<b>0.44</b>	kg
--------------	--	-------------	----

---