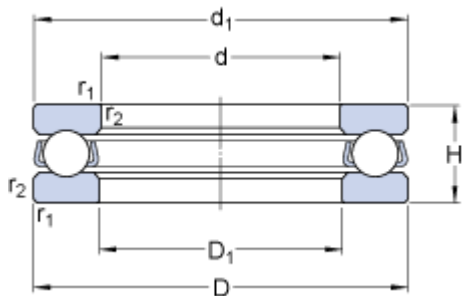


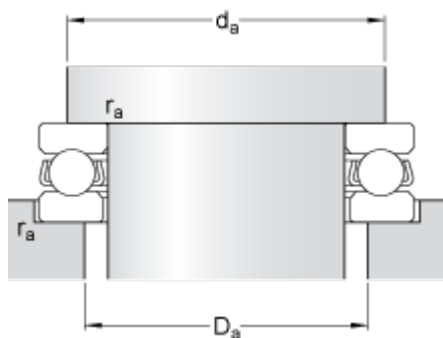
# 51313

## Dimensions



d	<b>65</b>	mm
D	<b>115</b>	mm
H	<b>36</b>	mm
d <sub>1</sub>	≈ <b>115</b>	mm
D <sub>1</sub>	≈ <b>67</b>	mm
r <sub>1,2</sub>	min. <b>1.1</b>	mm

## Abutment dimensions



d <sub>a</sub>	min. <b>95</b>	mm
D <sub>a</sub>	max. <b>85</b>	mm
r <sub>a</sub>	max. <b>1</b>	mm

## Calculation data

Basic dynamic load rating	C	<b>106</b>	kN
Basic static load rating	C <sub>0</sub>	<b>240</b>	kN
Fatigue load limit	P <sub>u</sub>	<b>8.8</b>	kN
Reference speed		<b>2000</b>	r/min
Limiting speed		<b>3000</b>	r/min
Minimum load factor	A	<b>0.3</b>	

## Mass

Mass bearing (including seat washer where applicable)	<b>1.5</b>	kg
---	------------	----