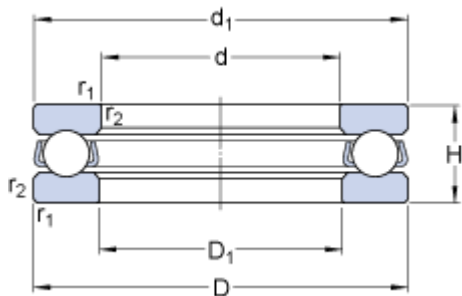


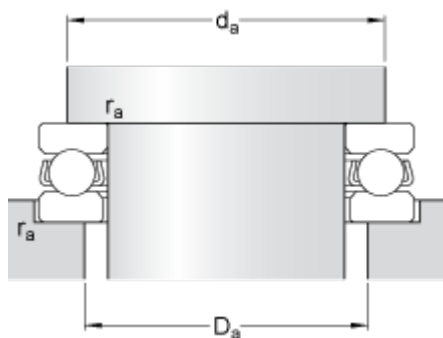
# 51314

## Dimensions



$d$	<b>70</b>	mm
$D$	<b>125</b>	mm
$H$	<b>40</b>	mm
$d_1$	≈ <b>125</b>	mm
$D_1$	≈ <b>72</b>	mm
$r_{1,2}$	min. <b>1.1</b>	mm

## Abutment dimensions



$d_a$	min. <b>103</b>	mm
$D_a$	max. <b>92</b>	mm
$r_a$	max. <b>1</b>	mm

## Calculation data

Basic dynamic load rating	$C$	<b>135</b>	kN
Basic static load rating	$C_0$	<b>320</b>	kN
Fatigue load limit	$P_u$	<b>11.8</b>	kN
Reference speed		<b>1900</b>	r/min
Limiting speed		<b>2600</b>	r/min
Minimum load factor	$A$	<b>0.53</b>	

## Mass

Mass bearing (including seat washer where applicable)	<b>2</b>	kg
---	----------	----