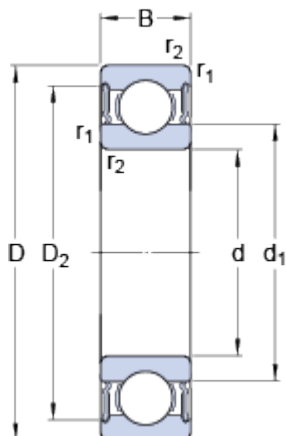


# 6007 - 2 RS 1

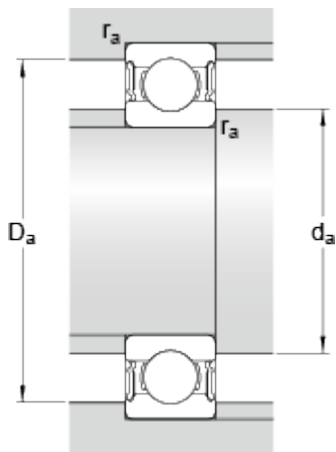
SKF Explorer

## Dimensions



d	<b>35</b>	mm
D	<b>62</b>	mm
B	<b>14</b>	mm
d <sub>1</sub>	≈ <b>43.75</b>	mm
D <sub>2</sub>	≈ <b>55.61</b>	mm
r <sub>1,2</sub>	min. <b>1</b>	mm

## Abutment dimensions



d <sub>a</sub>	min. <b>39.6</b>	mm
d <sub>a</sub>	max. <b>43.7</b>	mm
D <sub>a</sub>	max. <b>57.4</b>	mm
r <sub>a</sub>	max. <b>1</b>	mm

## Calculation data

Basic dynamic load rating	C	<b>16.8</b>	kN
Basic static load rating	C <sub>0</sub>	<b>10.2</b>	kN
Fatigue load limit	P <sub>u</sub>	<b>0.44</b>	kN
Limiting speed		<b>7000</b>	r/min
Calculation factor	k <sub>r</sub>	<b>0.025</b>	
Calculation factor	f <sub>0</sub>	<b>14.8</b>	

## Mass

Mass bearing		<b>0.16</b>	kg
--------------	--	-------------	----

