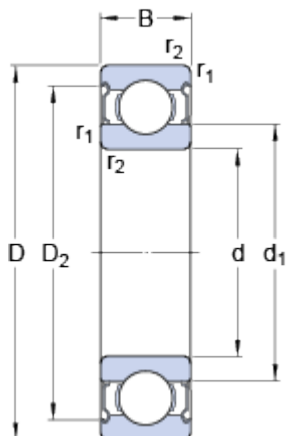


# 6010 - 2 Z

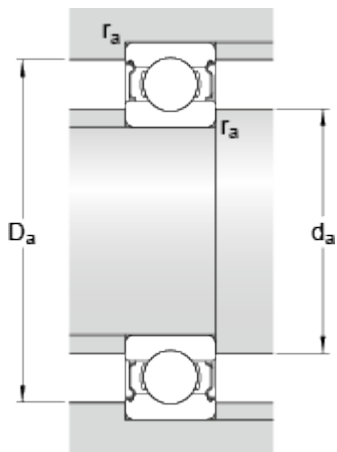
SKF Explorer

## Dimensions



d	<b>50</b>	mm
D	<b>80</b>	mm
B	<b>16</b>	mm
d <sub>1</sub>	≈ <b>59.75</b>	mm
D <sub>2</sub>	≈ <b>72.8</b>	mm
r <sub>1,2</sub>	min. <b>1</b>	mm

## Abutment dimensions



d <sub>a</sub>	min. <b>54.6</b>	mm
d <sub>a</sub>	max. <b>59.7</b>	mm
D <sub>a</sub>	max. <b>75.4</b>	mm
r <sub>a</sub>	max. <b>1</b>	mm

## Calculation data

Basic dynamic load rating	C	<b>22.9</b>	kN
Basic static load rating	C <sub>0</sub>	<b>15.6</b>	kN
Fatigue load limit	P <sub>u</sub>	<b>0.71</b>	kN
Reference speed		<b>18000</b>	r/min
Limiting speed		<b>9000</b>	r/min
Calculation factor	k <sub>r</sub>	<b>0.025</b>	
Calculation factor	f <sub>0</sub>	<b>14.7</b>	

## Mass

Mass bearing	<b>0.27</b>	kg
--------------	-------------	----

