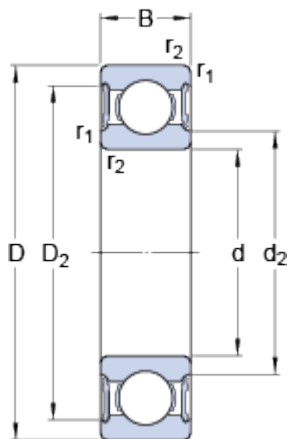


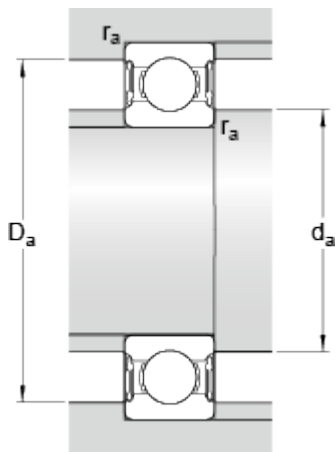
# 61903 - 2 RS 1

## Dimensions



d	<b>17</b>	mm
D	<b>30</b>	mm
B	<b>7</b>	mm
d <sub>2</sub>	≈ <b>19.4</b>	mm
D <sub>2</sub>	≈ <b>27.7</b>	mm
r <sub>1,2</sub>	min. <b>0.3</b>	mm

## Abutment dimensions



d <sub>a</sub>	min. <b>19</b>	mm
d <sub>a</sub>	max. <b>19.3</b>	mm
D <sub>a</sub>	max. <b>28</b>	mm
r <sub>a</sub>	max. <b>0.3</b>	mm

## Calculation data

Basic dynamic load rating	C	<b>4.62</b>	kN
Basic static load rating	C <sub>0</sub>	<b>2.55</b>	kN
Fatigue load limit	P <sub>u</sub>	<b>0.108</b>	kN
Limiting speed		<b>14000</b>	r/min
Calculation factor	k <sub>r</sub>	<b>0.02</b>	
Calculation factor	f <sub>0</sub>	<b>14.7</b>	

## Mass

Mass bearing		<b>0.017</b>	kg
--------------	--	--------------	----