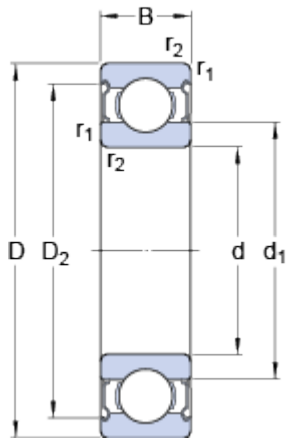


# 6209 - 2 Z

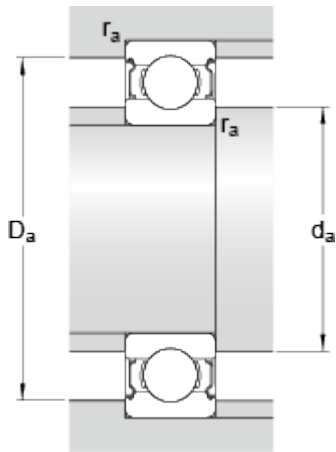
SKF Explorer

## Dimensions



d	<b>45</b>	mm
D	<b>85</b>	mm
B	<b>19</b>	mm
d <sub>1</sub>	≈ <b>57.6</b>	mm
D <sub>2</sub>	≈ <b>75.19</b>	mm
r <sub>1,2</sub>	min. <b>1.1</b>	mm

## Abutment dimensions



d <sub>a</sub>	min. <b>52</b>	mm
d <sub>a</sub>	max. <b>57.5</b>	mm
D <sub>a</sub>	max. <b>78</b>	mm
r <sub>a</sub>	max. <b>1</b>	mm

## Calculation data

Basic dynamic load rating	C	<b>35.1</b>	kN
Basic static load rating	C <sub>0</sub>	<b>21.6</b>	kN
Fatigue load limit	P <sub>u</sub>	<b>0.92</b>	kN
Reference speed		<b>17000</b>	r/min
Limiting speed		<b>8500</b>	r/min
Calculation factor	k <sub>r</sub>	<b>0.025</b>	
Calculation factor	f <sub>0</sub>	<b>14.2</b>	

## Mass

Mass bearing	<b>0.43</b>	kg
--------------	-------------	----

