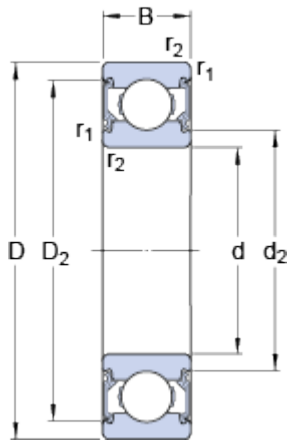


# 6302 - 2 RSH

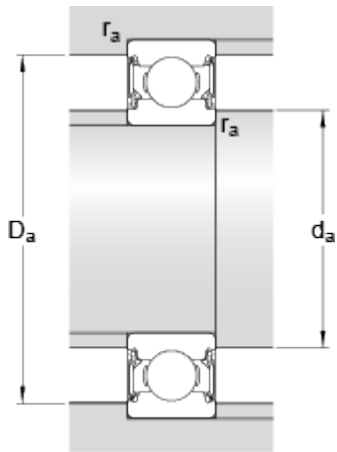
SKF Explorer

## Dimensions



d	<b>15</b>	mm
D	<b>42</b>	mm
B	<b>13</b>	mm
d <sub>2</sub>	≈ <b>20.65</b>	mm
D <sub>2</sub>	≈ <b>36.23</b>	mm
r <sub>1,2</sub>	min. <b>1</b>	mm

## Abutment dimensions



d <sub>a</sub>	min. <b>20.6</b>	mm
d <sub>a</sub>	max. <b>21</b>	mm
D <sub>a</sub>	max. <b>36.4</b>	mm
r <sub>a</sub>	max. <b>1</b>	mm

## Calculation data

Basic dynamic load rating	C	<b>11.9</b>	kN
Basic static load rating	C <sub>0</sub>	<b>5.4</b>	kN
Fatigue load limit	P <sub>u</sub>	<b>0.228</b>	kN
Limiting speed		<b>12000</b>	r/min
Calculation factor	k <sub>r</sub>	<b>0.03</b>	
Calculation factor	f <sub>0</sub>	<b>12</b>	

## Mass

Mass bearing		<b>0.085</b>	kg
--------------	--	--------------	----

