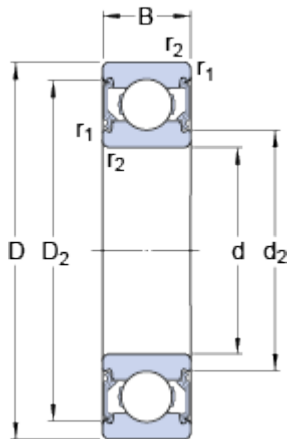


6304 - 2 RSH

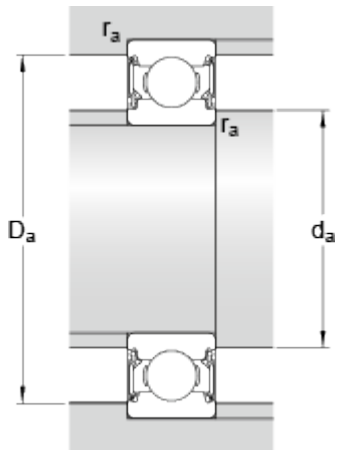
SKF Explorer

Dimensions



d	20	mm
D	52	mm
B	15	mm
d ₂	≈ 26.9	mm
D ₂	≈ 44.71	mm
r _{1,2}	min. 1.1	mm

Abutment dimensions



d _a	min. 27	mm
d _a	max. 27.3	mm
D _a	max. 45	mm
r _a	max. 1	mm

Calculation data

Basic dynamic load rating	C	16.8	kN
Basic static load rating	C ₀	7.8	kN
Fatigue load limit	P _u	0.335	kN
Limiting speed		9500	r/min
Calculation factor	k _r	0.03	
Calculation factor	f ₀	12	

Mass

Mass bearing		0.15	kg
--------------	--	-------------	----

