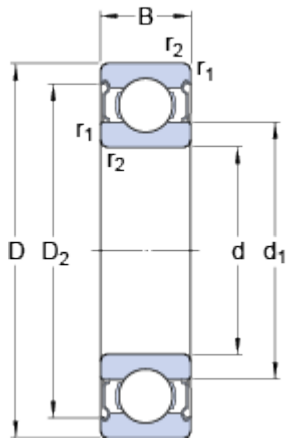


# 6304 - 2 Z

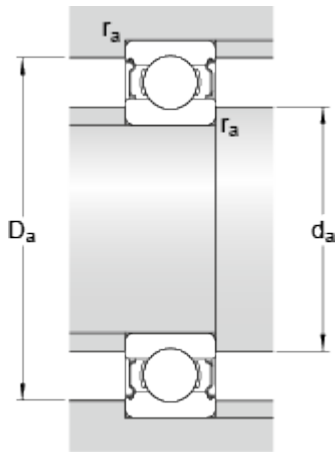
SKF Explorer

## Dimensions



d	<b>20</b>	mm
D	<b>52</b>	mm
B	<b>15</b>	mm
d <sub>1</sub>	≈ <b>30.35</b>	mm
D <sub>2</sub>	≈ <b>44.71</b>	mm
r <sub>1,2</sub>	min. <b>1.1</b>	mm

## Abutment dimensions



d <sub>a</sub>	min. <b>27</b>	mm
d <sub>a</sub>	max. <b>30.3</b>	mm
D <sub>a</sub>	max. <b>45</b>	mm
r <sub>a</sub>	max. <b>1</b>	mm

## Calculation data

Basic dynamic load rating	C	<b>16.8</b>	kN
Basic static load rating	C <sub>0</sub>	<b>7.8</b>	kN
Fatigue load limit	P <sub>u</sub>	<b>0.335</b>	kN
Reference speed		<b>30000</b>	r/min
Limiting speed		<b>15000</b>	r/min
Calculation factor	k <sub>r</sub>	<b>0.03</b>	
Calculation factor	f <sub>0</sub>	<b>12</b>	

## Mass

Mass bearing	<b>0.15</b>	kg
--------------	-------------	----

