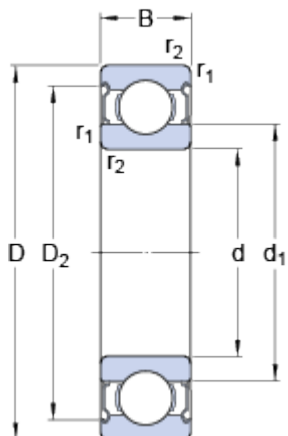


## 6310 - 2 Z

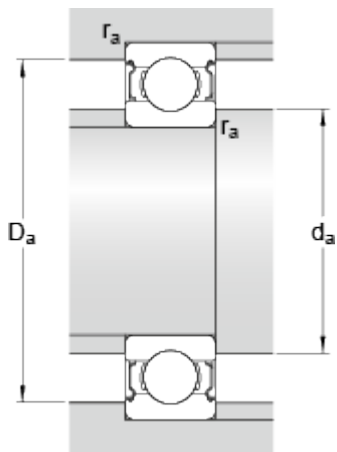
SKF Explorer

### Dimensions



d	<b>50</b>	mm
D	<b>110</b>	mm
B	<b>27</b>	mm
d <sub>1</sub>	≈ <b>68.76</b>	mm
D <sub>2</sub>	≈ <b>95.2</b>	mm
r <sub>1,2</sub>	min. <b>2</b>	mm

### Abutment dimensions



d <sub>a</sub>	min. <b>61</b>	mm
d <sub>a</sub>	max. <b>68.7</b>	mm
D <sub>a</sub>	max. <b>99</b>	mm
r <sub>a</sub>	max. <b>2</b>	mm

### Calculation data

Basic dynamic load rating	C	<b>65</b>	kN
Basic static load rating	C <sub>0</sub>	<b>38</b>	kN
Fatigue load limit	P <sub>u</sub>	<b>1.6</b>	kN
Reference speed		<b>13000</b>	r/min
Limiting speed		<b>6700</b>	r/min
Calculation factor	k <sub>r</sub>	<b>0.03</b>	
Calculation factor	f <sub>0</sub>	<b>13</b>	

### Mass

Mass bearing	<b>1.12</b>	kg
--------------	-------------	----

