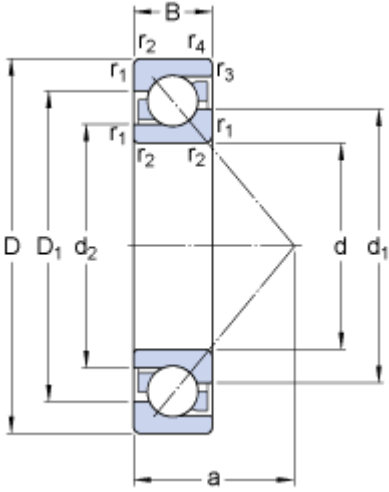


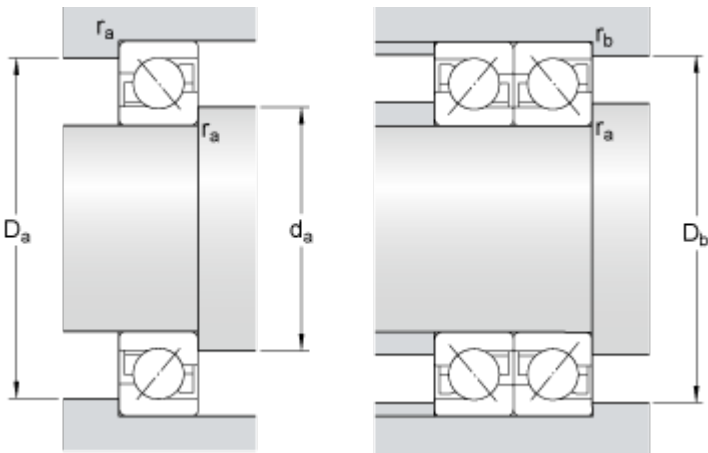
7203 BEP

Dimensions



d	17	mm
D	40	mm
B	12	mm
d_1	≈ 26.25	mm
d_2	≈ 21.66	mm
D_1	≈ 31.15	mm
a	18	mm
$r_{1,2}$	min. 0.6	mm
$r_{3,4}$	min. 0.6	mm

Abutment dimensions



d_a	min. 21.2	mm
D_a	max. 35.8	mm
D_b	max. 35.8	mm
r_a	max. 0.6	mm
r_b	max. 0.6	mm

Calculation data

Basic dynamic load rating	C	10.4	kN
Basic static load rating	C_0	5.5	kN
Fatigue load limit	P_u	0.236	kN
Reference speed		15000	r/min

Limiting speed		20000	r/min
Calculation factor	A	0.625	
Calculation factor	k_r	0.095	
Calculation factor	e	1.14	

Single bearing or bearing pair arranged in tandem

Calculation factor	X	0.35	
Calculation factor	Y_0	0.26	
Calculation factor	Y_2	0.57	

Bearing pair arranged back-to-back or face-to-face

Calculation factor	X	0.57	
Calculation factor	Y_0	0.52	
Calculation factor	Y_1	0.55	
Calculation factor	Y_2	0.93	

Mass

Mass bearing		0.065	kg
--------------	--	--------------	----
