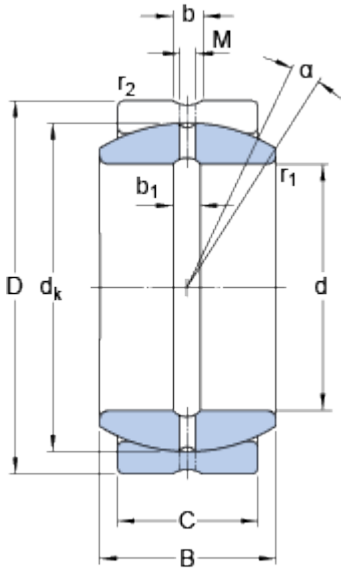


GE 30 ES

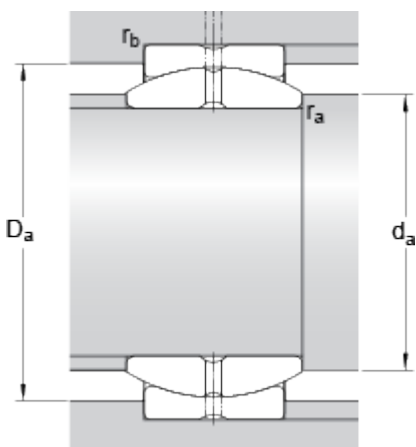
Lubricant	Regular relubrication – grease
Design (sliding contact surface combination)	Steel/steel
Sealing solution	-

Dimensions



d	30	mm
D	47	mm
B	22	mm
C	18	mm
α	6	°
d_k	40.7	mm
b	3.1	mm
b_1	3.1	mm
M	2	mm
r_1	min. 0.6	mm
r_2	min. 0.6	mm

Abutment dimensions



d_a	min. 33.3	mm
d_a	max. 34.2	mm
D_a	min. 38.7	mm
D_a	max. 44	mm
r_a	max. 0.6	mm

r_b max. **0.6**

mm

Calculation data

Basic dynamic load rating	C	62	kN
Basic static load rating	C_0	310	kN
Specific dynamic load factor	K	100	N/mm ²
Specific static load factor	K_0	500	N/mm ²
Material constant	K_M	330	

Mass

Mass plain bearing		0.16	kg
--------------------	--	-------------	----
