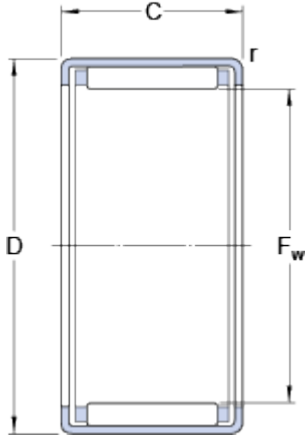


# HK 0808

## Dimensions



F <sub>w</sub>	<b>8</b>	mm
D	<b>12</b>	mm
C	<b>8</b>	mm
r	min. <b>0.4</b>	mm

## Calculation data

Basic dynamic load rating	C	<b>2.7</b>	kN
Basic static load rating	C <sub>0</sub>	<b>2.75</b>	kN
Fatigue load limit	P <sub>u</sub>	<b>0.285</b>	kN
Reference speed		<b>19000</b>	r/min
Limiting speed		<b>22000</b>	r/min

## Mass

Mass bearing	<b>0.0027</b>	kg
--------------	---------------	----

Designation	<b>HK 0808</b>
-------------	----------------

## Associated products

Radial shaft seal with a low cross-sectional height, single lip	<b>G 8x12x3</b>
---	-----------------