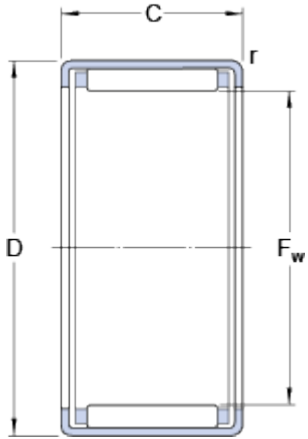


# HK 2016

## Dimensions



$F_w$	<b>20</b>	mm
D	<b>26</b>	mm
C	<b>16</b>	mm
r	min. <b>0.8</b>	mm

## Calculation data

Basic dynamic load rating	C	<b>12.3</b>	kN
Basic static load rating	$C_0$	<b>20.4</b>	kN
Fatigue load limit	$P_u$	<b>2.36</b>	kN
Reference speed		<b>12000</b>	r/min
Limiting speed		<b>14000</b>	r/min

## Mass

Mass bearing	<b>0.019</b>	kg
--------------	--------------	----

Designation	<b>HK 2016</b>
-------------	----------------

## Associated products

Inner ring IR series	IR 17 x 20 x 16.5
Inner ring LR series	LR 17 x 20 x 16.5
Radial shaft seal with a low cross-sectional height, single lip	G 20x26x4
Radial shaft seal with a low cross-sectional height, double lip	SD 20x26x4