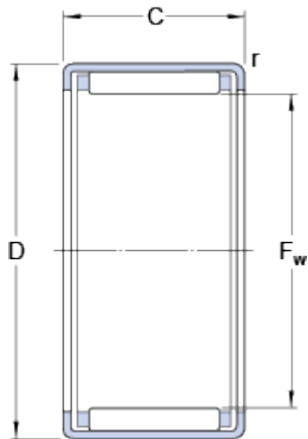


# HK 3016

## Dimensions



F <sub>w</sub>	<b>30</b>	mm
D	<b>37</b>	mm
C	<b>16</b>	mm
r	min. <b>0.8</b>	mm

## Calculation data

Basic dynamic load rating	C	<b>16.5</b>	kN
Basic static load rating	C <sub>0</sub>	<b>29</b>	kN
Fatigue load limit	P <sub>u</sub>	<b>3.4</b>	kN
Reference speed		<b>8000</b>	r/min
Limiting speed		<b>9000</b>	r/min

## Mass

Mass bearing	<b>0.031</b>	kg
--------------	--------------	----

Designation	<b>HK 3016</b>
-------------	----------------

## Associated products

Inner ring IR series	IR 25 x 30 x 17
Inner ring LR series	LR 25 x 30 x 16.5
Radial shaft seal with a low cross-sectional height, single lip	G 30x37x4
Radial shaft seal with a low cross-sectional height, double lip	SD 30x37x4