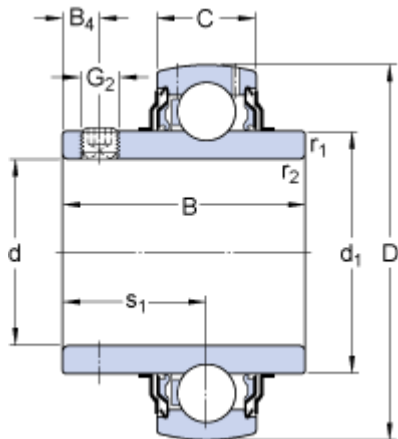


YAR 206 - 2 F

Dimensions



d	30	mm
D	62	mm
B	38.1	mm
C	18	mm
d_1	\approx 39.7	mm
B_4	5	mm
$r_{1,2}$	min. 0.6	mm
s_1	22.2	mm

Calculation data

Basic dynamic load rating	C	19.5	kN
Basic static load rating	C_0	11.2	kN
Fatigue load limit	P_u	0.475	kN
Limiting speed ¹⁾		6300	r/min
Calculation factor	f_0	14	

Mass

Mass complete bearing	0.31	kg
-----------------------	-------------	----

Mounting information

Thread grub screw	G_2	M 6 x 0.75
Hexagonal key size for grub screw	N	3 mm
Recommended tightening torque for grub screw		4 N·m

Associated products

Rubber seating ring	RIS 206 A
---------------------	------------------

