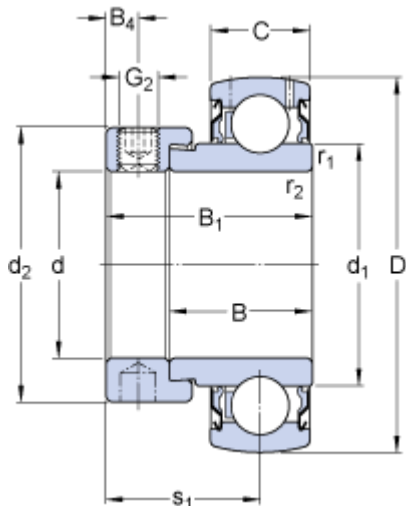


YET 204

Dimensions



d	20	mm
D	47	mm
B ₁	30.5	mm
B	21	mm
C	14	mm
d ₁	≈ 28.2	mm
d ₂	32.4	mm
B ₄	4.75	mm
r _{1,2}	min. 0.6	mm
s ₁	23.5	mm

Calculation data

Basic dynamic load rating	C	12.7	kN
Basic static load rating	C ₀	6.55	kN
Fatigue load limit	P _u	0.28	kN
Limiting speed ¹⁾		8500	r/min
Calculation factor	f ₀	13	

Mass

Mass complete bearing	0.16	kg
-----------------------	-------------	----

Mounting information

Thread grub screw	G ₂	M 6 x 0.75
Hexagonal key size for grub screw	N	3 mm
Recommended tightening torque for grub screw		4 N·m

Associated products

Rubber seating ring

RIS 204
