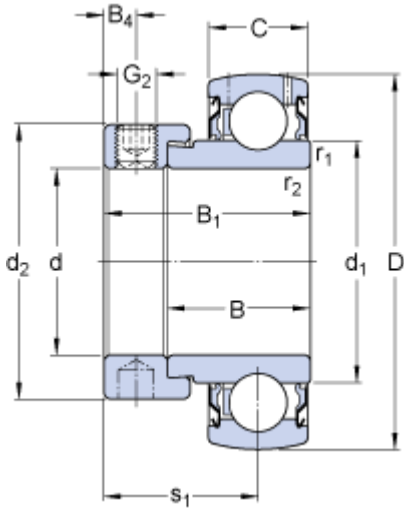


# YET 205

## Dimensions



$d$	<b>25</b>	mm
$D$	<b>52</b>	mm
$B_1$	<b>31</b>	mm
$B$	<b>21.5</b>	mm
$C$	<b>15</b>	mm
$d_1$	≈ <b>33.74</b>	mm
$d_2$	<b>37.4</b>	mm
$B_4$	<b>4.75</b>	mm
$r_{1,2}$	min. <b>0.6</b>	mm
$s_1$	<b>23.5</b>	mm

## Calculation data

Basic dynamic load rating	$C$	<b>14</b>	kN
Basic static load rating	$C_0$	<b>7.8</b>	kN
Fatigue load limit	$P_u$	<b>0.335</b>	kN
Limiting speed <sup>1)</sup>		<b>7000</b>	r/min
Calculation factor	$f_0$	<b>14</b>	

## Mass

Mass complete bearing		<b>0.2</b>	kg
-----------------------	--	------------	----

## Mounting information

Thread grub screw	$G_2$	<b>M 6 x 0.75</b>	
Hexagonal key size for grub screw	$N$	<b>3</b>	mm
Recommended tightening torque for grub screw		<b>4</b>	N·m

## Associated products

---

Rubber seating ring

RIS 205

---