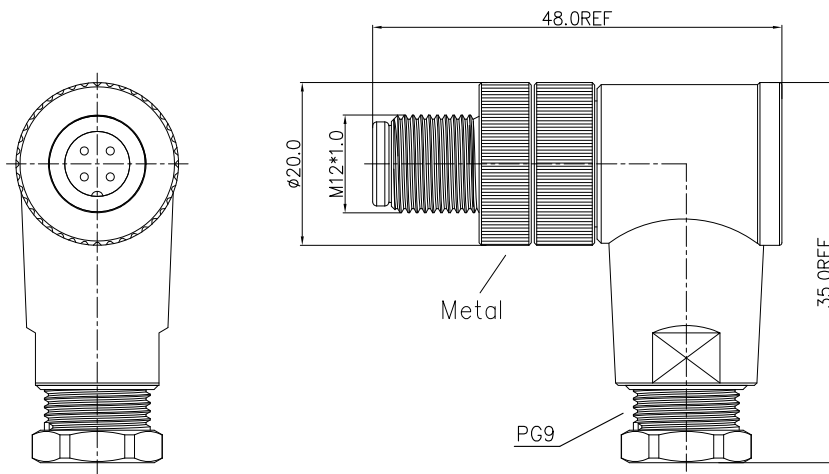


REVISION RECORD				
REV	ECN	DESCRIPTION	DRFT	DATE



Detailed product Description:

1. Waterproof connector rating is IP65/IP67
2. Protected from dust and water during immersion, resistant to many oils and chemical etc
3. Wire cross section: 0.25mm²

Electrical character:

1. Rating voltage: 60V AC/DC
2. Insulation resistance: >100MΩ
3. Rating current: 3A
4. Contact resistance of the connector ≤ 10 mΩ

Other Specification:

1. Contact PIN: Phosphor Copper with Gold plating
2. Coupling nut/screw: Brass with nickel plating
3. Insulation plastic: PA66+GF
4. Degree of protection: IP65/67
5. Operating temperature: -25℃~+85℃

TERMINATION: SCREW

Prat Number	Contacts	Rated Voltage		Rated Current	Contact Resistance	Cable OD (mm)
		A/C	D/C			
SM12-CRP-A3Q-1D9		250V	250V	4A	10mΩ	6~8
SM12-CRP-A4Q-1D9		250V	250V	4A	10mΩ	6~8
SM12-CRP-A5Q-1D9		60V	60V	4A	10mΩ	6~8
SM12-CRP-A8Q-1D9		30V	30V	2A	10mΩ	6~8
SM12-CRP-A12Q-1D9		30V	30V	1.5A	10mΩ	6~8
SM12-CRP-B5Q-1D9		60V	60V	4A	10mΩ	6~8
SM12-CRP-D4Q-1D9		250V	250V	4A	10mΩ	6~8

DETACHED LISTS	PART NO.: /		宁波高松电子有限公司 NINGBO DEGSON ELECTRICAL CO., LTD		
	APPD: Alam 9/10/15"	NAME: SM12-CRP-XXQ-1D9			
	CHKD: Aaron9/2/15"	TITLE: CUSTOMER DRAWING			
	DRFT: CKZ 08/11/15"	DRAWING NO.: SM12-CRP-A4M-1B9		REV	DO
	THIRD ANGLE PROJECTION		DRAWING NO.: SM12-CRP-A4M-1B9 MM (INCH)	SHEET	1/1
		DO NOT SCALE DRAWING	SCALE	1:1	