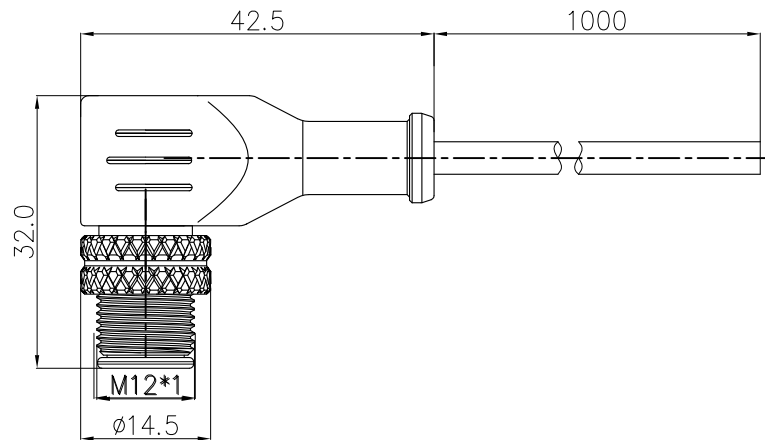
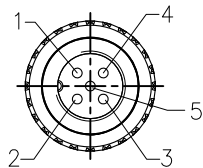


REVISION RECORD				
REV	ECN	DESCRIPTION	DRFT	DATE



Detailed product Description:

1. Waterproof connector rating is IP65/IP67
2. Protected from dust and water during immersion, resistant to many oils and chemical etc
3. Wire cross section: 0.25mm²

Electrical character:

1. Rating voltage: 60V AC/DC
2. Insulation resistance: >100MΩ
3. Rating current: 4A
4. Contact resistance of the connector ≤ 10 mΩ

Other Specification:

1. Contact PIN: Phosphor Copper with Gold plating
2. Coupling nut/screw: Brass with nickel plating
3. Insulation plastic: PA66+GF and TPU
4. Degree of protection: IP65/67
5. Operating temperature: -25℃~+85℃

Electrical character

Prat Number	Contacts	Rated Voltage		Rated Current	Contact Resistance
		A/C	D/C		
PM-M12A-03P-MM-SR7A01-00B(H)		250V	250V	4A	10mΩ
PM-M12A-04P-MM-SR7A01-00B(H)		250V	250V	4A	10mΩ
PM-M12A-05P-MM-SR7A01-00B(H)		60V	60V	4A	10mΩ
PM-M12A-08P-MM-SR7A01-00B(H)		30V	30V	2A	10mΩ
PM-M12A-12P-MM-SR7A01-00B(H)		30V	30V	1.5A	10mΩ
PM-M12B-05P-MM-SR7A01-00B(H)		60V	60V	4A	10mΩ
PM-M12D-04P-MM-SR7A01-00B(H)		250V	250V	4A	10mΩ

DETACHED LISTS	PART NO.:	宁波高松电子有限公司 NINGBO DEGSON ELECTRICAL CO., LTD			
	APPD: Alam 9/10/15"	NAME: PM-M12X-XXP-MM-SR7A01-00B(H)			
	CHKD: Aaron 9/2/15"	TITLE: CUSTOMER DRAWING		REV	DO
	DRFT: CKZ 01/11/15"	DRAWING NO.:		SHEET	1/1
 THIRD ANGLE PROJECTION		MM (INCH)	DO NOT SCALE DRAWING	SCALE	1: 1