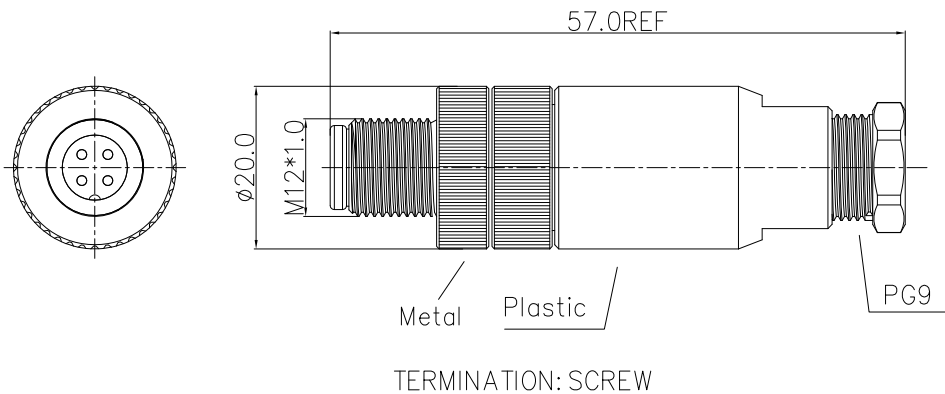


REVISION RECORD				
REV	ECN	DESCRIPTION	DRFT	DATE



Detailed product Description:
 1. Waterproof connector rating is IP65/IP67
 2. Protected from dust and water during immersion, resistant to many oils and chemical etc
 3. Wire cross section: 0.35mm²

Electrical character:
 1. Rating voltage: 60V AC/DC
 2. Insulation resistance: >100MΩ
 3. Rating current: 4A
 4. Contact resistance of the connector ≤ 10 mΩ

Other Specification:
 1. Contact PIN: Phosphor Copper with Gold plating
 2. Coupling nut/screw: Brass with nickel plating
 3. Insulation plastic: PA66+GF
 4. Degree of protection: IP67/68
 5. Operating temperature: -25℃~+85℃

Electrical character

Prat Number	Contacts	Rated Voltage		Rated Current	Contact Resistance	Cable OD (mm)
		A/C	D/C			
SM12-CVP-A3Q-1D9		250V	250V	4A	10mΩ	6~8
SM12-CVP-A4Q-1D9		250V	250V	4A	10mΩ	6~8
SM12-CVP-A5Q-1D9		60V	60V	4A	10mΩ	6~8
SM12-CVP-A8Q-1D9		30V	30V	2A	10mΩ	6~8
SM12-CVP-A12Q-1D9		30V	30V	1.5A	10mΩ	6~8
SM12-CVP-B5Q-1D9		60V	60V	4A	10mΩ	6~8
SM12-CVP-D4Q-1D9		250V	250V	4A	10mΩ	6~8

DETACHED LISTS	PART NO.: /	宁波高松电子有限公司 NINGBO DEGSON ELECTRICAL CO., LTD		
	APPD: Alam 9/10/15"	NAME: SM12-CVP-XXQ-1D9		
	CHKD: Aaron9/2/15"	TITLE: CUSTOMER DRAWING		
	DRFT: CKZ 08/11/15"	REV	DO	
		DRAWING NO.: SM12-CVP-A4M-1B9	SHEET	1/1
	MM (INCH)	DO NOT SCALE DRAWING	SCALE 1:1	