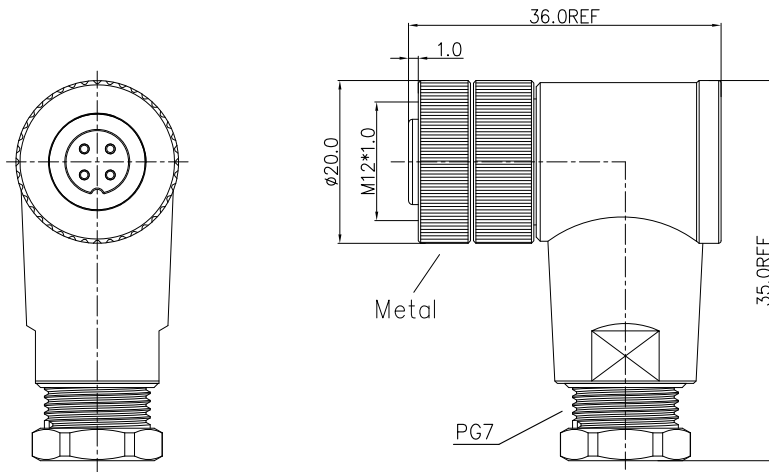


REVISION RECORD

REV	ECN	DESCRIPTION	DRFT	DATE
-----	-----	-------------	------	------



Plastic

TERMINATION: SCREW

Detailed product Description:

1. Waterproof connector rating is IP65/IP67
2. Protected from dust and water during immersion, resistant to many oils and chemical etc
3. Wire cross section: 0.25mm²

Electrical character:

1. Rating voltage: 60V AC/DC
2. Insulation resistance: >100MΩ
3. Rating current: 3A
4. Contact resistance of the connector ≤ 10 mΩ

Other Specification:

1. Contact PIN: Phosphor Copper with Gold plating
2. Coupling nut/screw: Brass with nickel plating
3. Insulation plastic: PA66+GF
4. Degree of protection: IP65/67
5. Operating temperature: -25°C ~ +85°C

Prat Number	Contacts	Rated Voltage		Rated Current	Contact Resistance	Cable OD (mm)
		A/C	D/C			
SM12-PRP-A3W-1B7		250V	250V	4A	10mΩ	4~6
SM12-PRP-A4W-1B7		250V	250V	4A	10mΩ	4~6
SM12-PRP-A5W-1B7		60V	60V	4A	10mΩ	4~6
SM12-PRP-A8W-1B7		30V	30V	2A	10mΩ	4~6
SM12-PRP-A12W-1B7		30V	30V	1.5A	10mΩ	4~6
SM12-PRP-B5W-1B7		60V	60V	4A	10mΩ	4~6
SM12-PRP-D4W-1B7		250V	250V	4A	10mΩ	4~6

DETACHED LISTS	PART NO.: /		宁波高松电子有限公司 NINGBO DEGSON ELECTRICAL CO., LTD		
	APPD: Alam 9/10/15"		NAME: SM12-PRP-XXW-1B7		
	CHKD: Aaron 9/2/15"		TITLE: CUSTOMER DRAWING		
	DRFT: CKZ 08/11/15"		REV	DO	
	THIRD ANGLE PROJECTION		DRAWING NO.: SM12-PRP-A4F-1B7	SHEET	1/1
		MM (INCH)	DO NOT SCALE DRAWING	SCALE	1:1