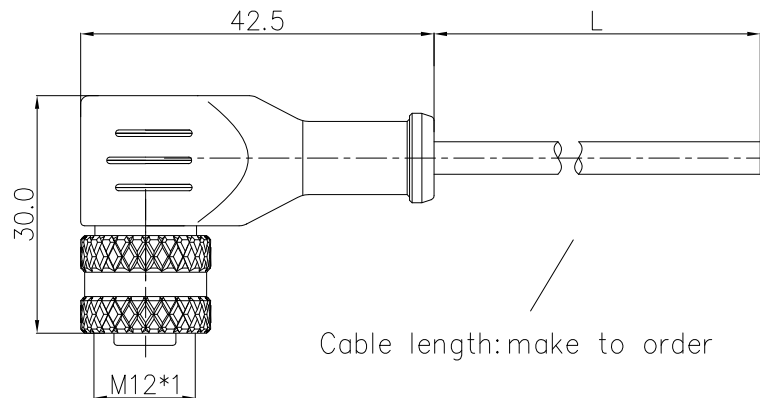
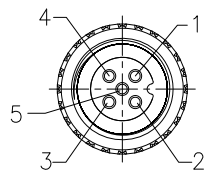


REVISION RECORD				
REV	ECN	DESCRIPTION	DRFT	DATE



Detailed product Description:

1. Waterproof connector rating is IP65/IP67
2. Protected from dust and water during immersion, resistant to many oils and chemical etc
3. Wire cross section: 0.25mm<sup>2</sup>

Electrical character:

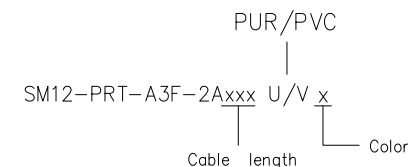
1. Rating voltage: 60V AC/DC
2. Insulation resistance: >100MΩ
3. Rating current: 4A
4. Contact resistance of the connector ≤ 10 mΩ

Other Specification:

1. Contact PIN: Phosphor Copper with Gold plating
2. Coupling nut/screw: Brass with nickel plating
3. Insulation plastic: PA66+GF and TPU
4. Degree of protection: IP65/67
5. Operating temperature: -25°C ~ +85°C

Electrical character

Prat Number	Contacts	Rated Voltage		Rated Current	Contact Resistance
		A/C	D/C		
SM12-PRT-A3F-2Axxx		250V	250V	4A	10mΩ
SM12-PRT-A4F-2Axxx		250V	250V	4A	10mΩ
SM12-PRT-A5F-2Axxx		60V	60V	4A	10mΩ
SM12-PRT-A8F-2Axxx		30V	30V	2A	10mΩ
SM12-PRT-A12F-2Axxx		30V	30V	1.5A	10mΩ
SM12-PRT-B5F-2Axxx		60V	60V	4A	10mΩ
SM12-PRT-D4F-2Axxx		250V	250V	4A	10mΩ



Cable Color

Color	NO.	Explain
black	0	abridge
yellow	1	
gray	2	

DETACHED LISTS	PART NO.: /	宁波高松电子有限公司 NINGBO DEGSON ELECTRICAL CO., LTD			
	APPD: Alam 9/10/15"	NAME: SM12-PRT-XXF-2AXXX			
	CHKD: Aaron 9/2/15"	TITLE: CUSTOMER DRAWING			
	DRFT: CKZ 01/11/15"	DRAWING NO.: SM12-PRT-AXF-2A	REV	DO	
		MM (INCH)	DO NOT SCALE DRAWING	SCALE	1:1