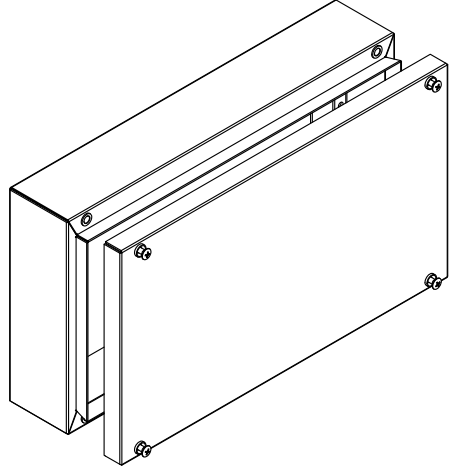
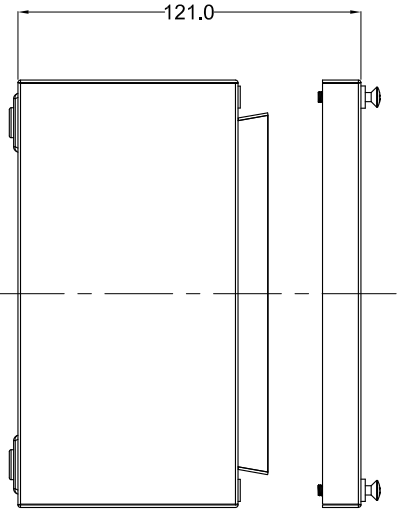
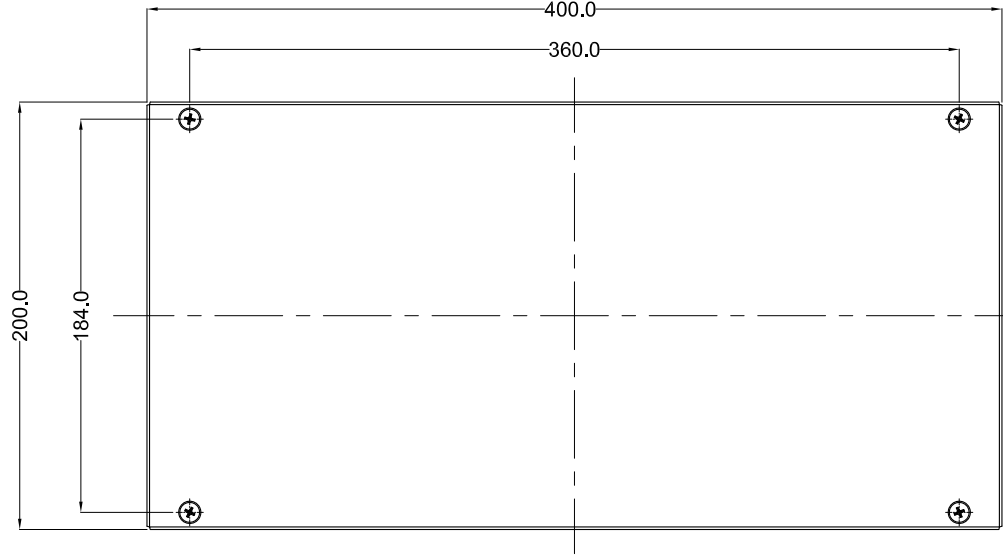


SECTION A-A



NOTE :-
 1) ALL EDGES ARE BURR FREE
 2) NON DIMENSIONAL RADIUS - 0.5mm

Sr No.	Material	UOM	Qty	NO.	REV.NO.	DESCRIPTION	DATE	SIGN	NAME	DRAWN	CHECKED
1	Base Assembly		1								
1.1	Base	Nos	1	TITLE :- JUNCTION BOX ASSEMBLY 400 x 200 x 121							
1.2	Din Rail Mounting Channel	Nos	2								
1.3	Blind NutSert M5 - SS 304 (Large Flanged)	Nos	4	MATERIAL			01/04/15				MANOJ DRAWN
1.4	Bottom Sealing Cap	Nos	4						01/04/15		
2	Lid Assembly		1	FINISH							M.S. APPROVED
2.1	Lid	Nos	1								
2.2	Sealing Gasket	M		Raychem RPG (P) Limited Ceat Mahal Annexe, Dr. Annie Besant Road, Worli, Mumbai 400030 Web : www.raychemrpg.com			SCALE		PARTNO.		
2.3	Plastics Insert for Screw	Nos	4				REV		DRG. NO.		
2.4	Stud EN ISO 13918-PTM6x12- A2-50 - SS 304	Nos	1	ALL DIMENSION ARE IN MM			100		ASSEMBLY		
2.5	Oval Head Screw DIN 966-M5x30 - SS 304	Nos	4								

PROPERTY OF RaychemRPG (P) LTD.
 ALL RIGHTS RESERVED AND/OR PHOTOCOPYING THIS DOCUMENT
 TO A PERSON WITHOUT RaychemRPG (P)LTD. WRITTEN AUTHORIZATION IS PROHIBITED