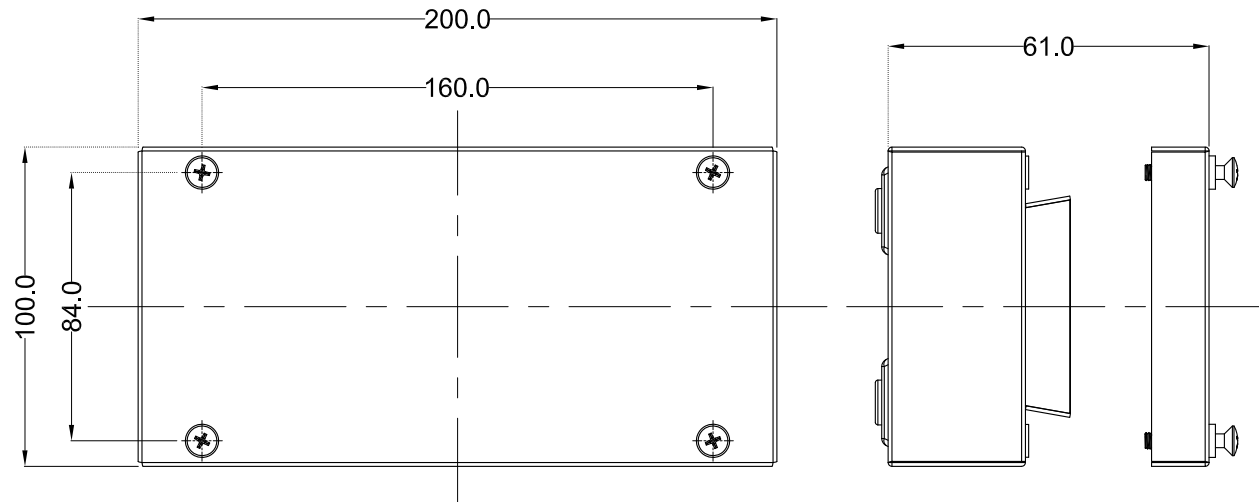
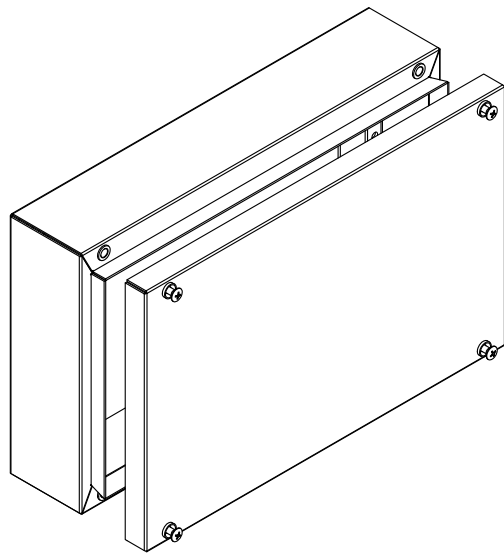
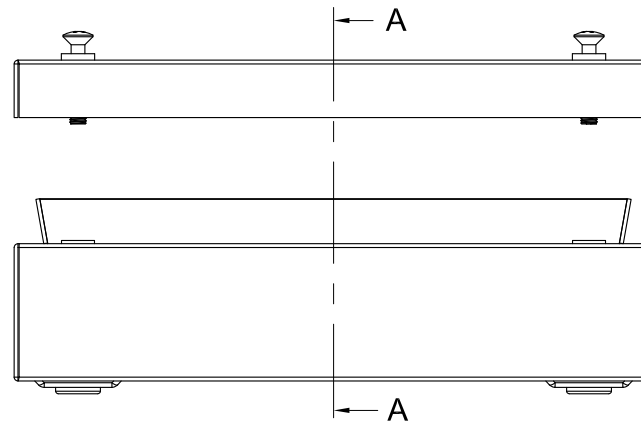


SECTION A-A

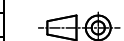


NOTE :-

- 1) ALL EDGES ARE BURR FREE
- 2) NON DIMENSIONAL RADIUS - 0.5mm

PROPERTY OF RaychemRPG (P) LTD.  
ALL RIGHTS RESERVED AND/OR PHOTOCOPIING THIS DOCUMENT  
TO A PERSON WITHOUT RaychemRPG (P)LTD. WRITTEN AUTHORIZATION IS PROHIBITED

Sr No.	Material	UOM	Qty	NO.	REV.NO.	DESCRIPTION	DATE	SIGN	NAME	CHECKED
1	Base Assembly		1							
1.1	Base	Nos	1	TITLE :- JUNCTION BOX ASSEMBLY 200 x 100 x 61						
1.2	Din Rail Mounting Channel	Nos	2							
1.3	Blind NutSert M5 - SS 304 ( Large Flanged )	Nos	4	MATERIAL			01/04/15			MANOJ DRAWN
1.4	Bottom Sealing Cap	Nos	4				FINISH			01/04/15
2	Lid Assembly		1	-						
2.1	Lid	Nos	1				-			
2.2	Sealing Gasket	M		-						
2.3	Plastics Insert for Screw	Nos	4				-			
2.4	Stud EN ISO 13918-PTM6x12- A2-50 - SS 304	Nos	1	-						
2.5	Oval Head Screw DIN 966 -M5x30 - SS 304	Nos	4				-			



**Raychem RPG (P) Limited**  
Ceat Mahal Annexe,  
Dr. Annie Besant Road,  
Worli, Mumbai 400030  
Web : www.raychemrpg.com

SCALE PARTNO. .  
REV DRG. NO.  
100 ASSEMBLY