

THIS DRAWING IS UNPUBLISHED. RELEASED FOR PUBLICATION
 © COPYRIGHT copyright.d8Te- ALL RIGHTS RESERVED.

REVISIONS				
P	LTR	DESCRIPTION	DATE	APVD
B		ECR-16-010100 UPDATE NAME	14JUL2016	L.Z X.X

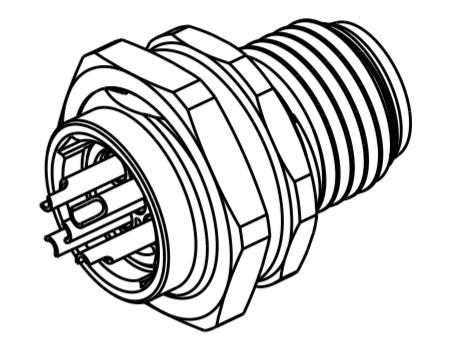
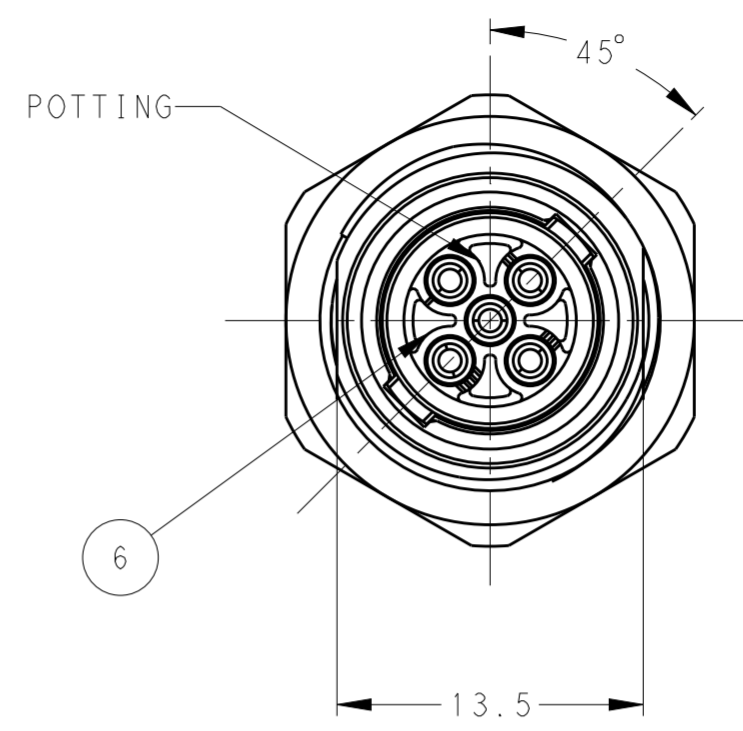
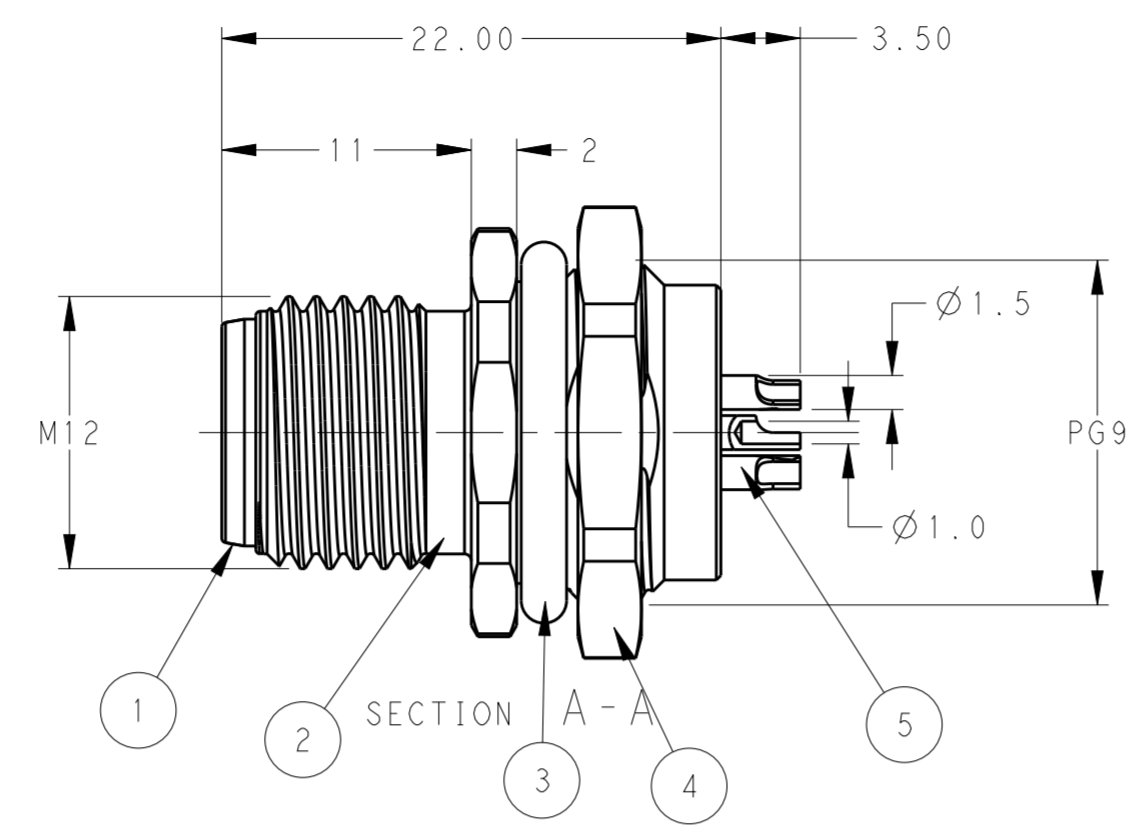
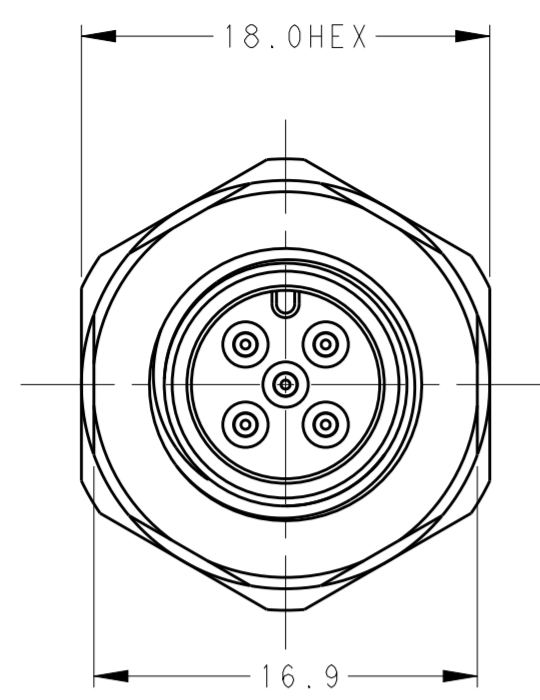


TABLE 1

TECHNICAL DATA	T4132012021-000	T4132012031-000	T4132012041-000	T4132012051-000
RATED VOLTAGE	250V	250V	250V	60V
RATED CURRENT	4A	4A	4A	4A
POLLUTION DEGREE	3	3	3	3
OVERVOLTAGE CATEGORY	II	II	II	II
MATERIAL GROUP	II	II	II	II
CONTACT RESISTANCE	<=10mΩ	<=10mΩ	<=10mΩ	<=10mΩ
INSULATION RESISTANCE	>100MΩ	>100MΩ	>100MΩ	>100MΩ
DEGREE OF PROTECTION	IP67	IP67	IP67	IP67
OPERATION TEMPEATURE	-40-85°C	-40-85°C	-40-85°C	-40-85°C

- NOTE:
1. TECHNICAL DATA: SEE TABLE 1
 2. RECOMMENDED MOUNT PANEL SEE DETAIL
 3. PRODUCT COMPLIES WITH IEC61076-2-101
 4. PLASTIC INERT MATERIAL:UL LISTED WITH UL94V0 FLAME RATING
 5. ALL MATERIALS TO BE ROHS COMPLIANT
 6. ALL MATERIALS TO BE REACH COMPLIANT
 7. PN INFORMATION FOR ASSEMBLY PARTS

- 注释:
- 1: 技术参数, 见表1
 - 2: 推荐开孔尺寸详见如图所示
 - 3: 产品符合标准 IEC61076-2-101
 - 4: 塑胶材料符合UL标准, UL-94V0阻燃等级
 - 5: 所有材料符合ROHS参照标准 TEC-138-705
 - 6: 所有材料符合REACH参照标准 TEC-138-705
 - 7: 成品料号信息如下:

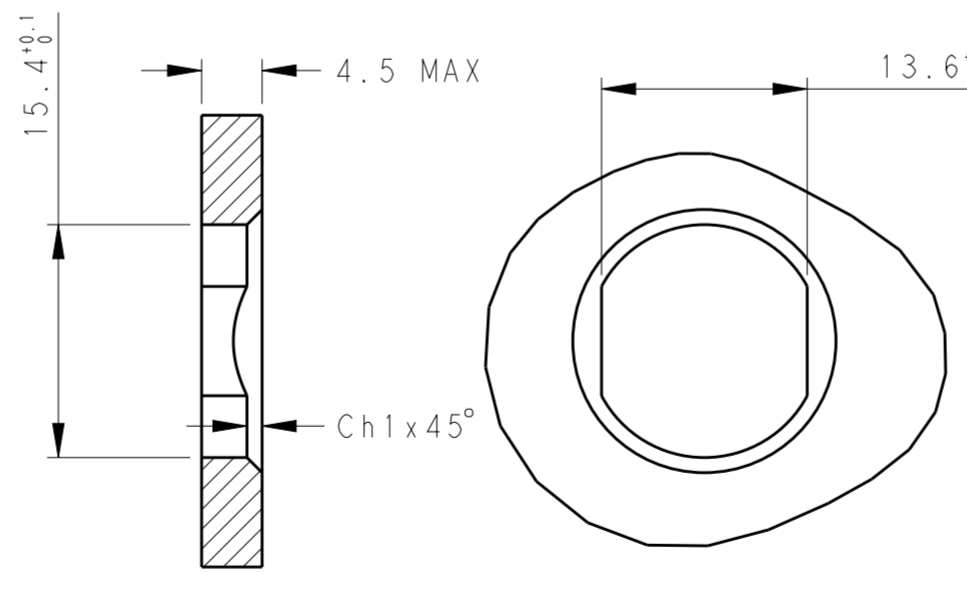
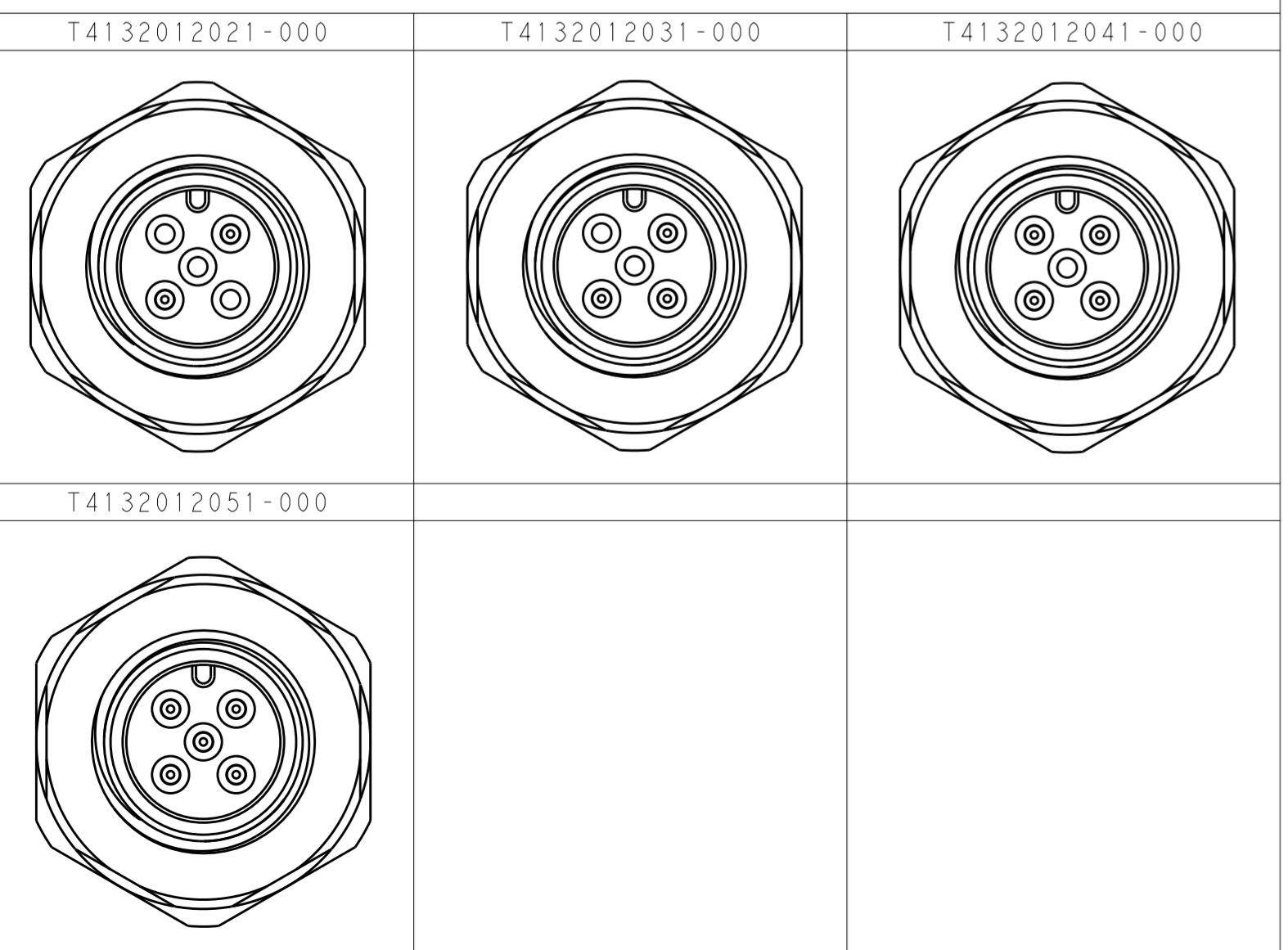
T41320120X1-000

- CONTACT FINISH:
 1: GOLD 3u''
 NUMBER OF PINS:
 02: 2 PINS
 03: 3 PINS
 04: 4 PINS
 05: 5 PINS

T41320120X1-000

- 端子电镀:
 1: 3u''金
 针数:
 02: 2 针
 03: 3 针
 04: 4 针
 05: 5 针

PIN ARRANGEMENT A-CODE



RECOMMENDED PANEL CUTOUT

TE PN	TYPE
T4132012021-000	RPC-M12-MB-2CON-PG9-LAU
T4132012031-000	RPC-M12-MB-3CON-PG9-LAU
T4132012041-000	RPC-M12-MB-4CON-PG9-LAU
T4132012051-000	RPC-M12-MB-5CON-PG9-LAU

PLATING	MATERIAL	DESCRIPTION	ITEM
-	EPOXY RESIN	POTTING ADHESIVE	6 1 1 1 1
3u'' GOLD MIN.	COPPER ALLOY	CONTACT	5 2 3 4 5
200u'' NICKEL MIN.	COPPER ALLOY	METAL NUT	4 1 1 1 1
-	-	O-RING	3 1 1 1 1
200u'' NICKEL MIN.	COPPER ALLOY	M12, MALE, METAL BODY	2 1 1 1 1
-	PA66	M12, MALE HSG	1 1 1 1 1

THIS DRAWING IS A CONTROLLED DOCUMENT. DWN BO GAO 29-Jan-16
 CHK KOBBY ZHAO
 APVD XIANG XU
 PRODUCT SPEC 108-106140
 APPLICATION SPEC 114-137144
 MATERIAL - WEIGHT -
 CUSTOMER DRAWING

STE TE Connectivity

M12 PANEL MOUNT CONNECTOR
 A CODE, MALE, FRONT MOUNTING
 WIRE SOLDERING

SIZE A2 CAGE CODE - DRAWING NO. G-T41320120X1000 RESTRICTED TO -
 SCALE 3:1 SHEET 1 OF 1 REV B

X-ON Electronics

Largest Supplier of Electrical and Electronic Components

Click to view similar products for [Standard Circular Connector](#) category:

Click to view products by [TE Connectivity](#) manufacturer:

Other Similar products are found below :

[C015](#) [10F006](#) [001](#) [1](#) [5M2530B10P](#) [600259N006](#) [600273N007](#) [600432N009](#) [6280-2PG-519](#) [6280-3PG-311](#) [6280-3SG-311](#) [6280-7SG-3DC](#)
[6280-7SG-522](#) [6282-5PG-311](#) [6282-6PG-519](#) [6282-8SG-311](#) [6283-11](#) [6283-15](#) [6290](#) [6382-2PG-311](#) [6382-2PG-3DC](#) [6382-2SG-321](#) [6382-2SG-3DC](#) [6382-4SG-516](#) [67-03E20-37P](#) [681-PMG](#) [CXS3102A14S2P](#) [CXS3102A181S](#) [CXS3106A14S6S](#) [MB12P-1](#) [MB12R-6](#) [7251-2PG-300](#) [7251-2SG-300](#) [7251-4PG-300](#) [7251-4SG-300](#) [7251-5PG-300](#) [7251-5SG-300](#) [7251-6SG-300](#) [7251-7PG-300](#) [7251-8PG-300](#) [7271-6SG-300](#) [7282-3PG-300-CH3](#) [73000005663](#) [75-190216-08S](#) [75-190218-10P](#) [75-474118-10P](#) [75-474618-01S](#) [75-474620-07P](#) [799539-000](#) [MI8-SE](#) [80-190222-18P](#) [805-005-07NF11-19PC](#) [805-005-07NF15-7PA](#)