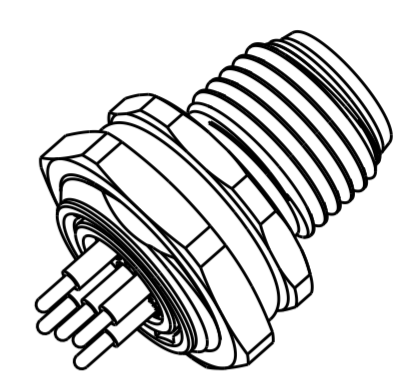
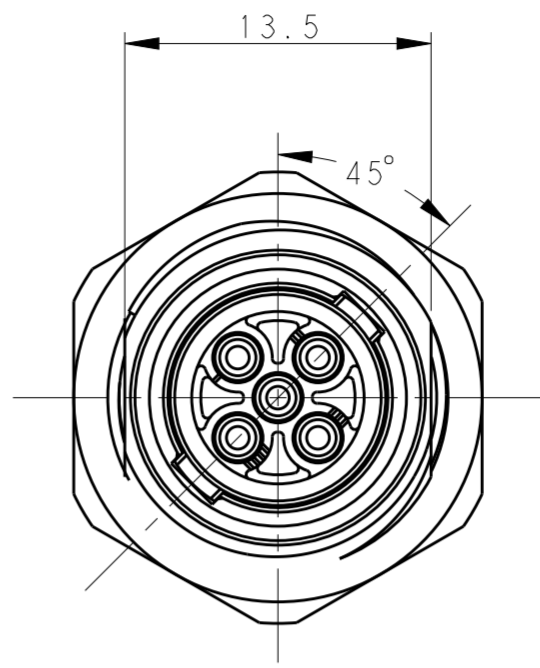
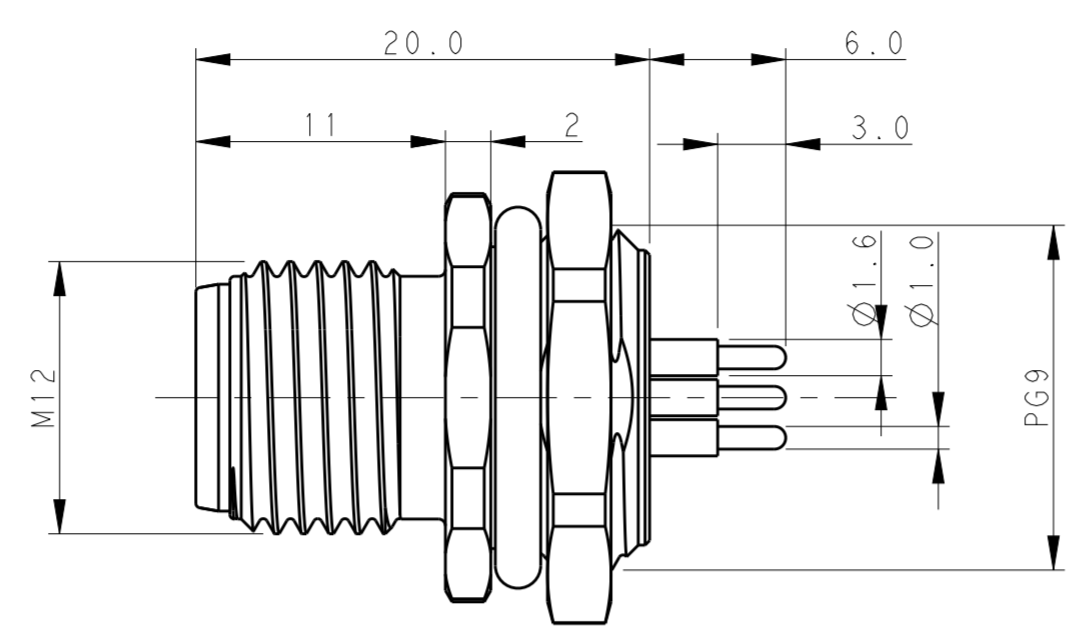
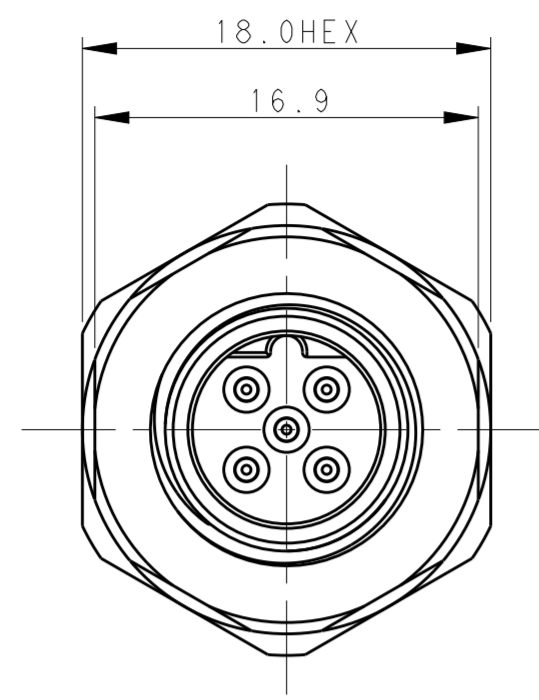


THIS DRAWING IS UNPUBLISHED. RELEASED FOR PUBLICATION 20  
 © COPYRIGHT 20 BY - ALL RIGHTS RESERVED.

REVISIONS				
P	LTR	DESCRIPTION	DATE	APVD
B		ECR-16-010100 UPDATE NAME	14JUL2016	L.Z X.X



TECHNICAL DATA	T4142412021-000	T4142412031-000	T4142412041-000	T4142412051-000
RATED VOLTAGE	250V	250V	250V	60V
RATED CURRENT	4A	4A	4A	4A
POLLUTION DEGREE	3	3	3	3
OVERVOLTAGE CATEGORY	II	II	II	II
MATERIAL GROUP	II	II	II	II
CONTACT RESISTANCE	<=10mΩ	<=10mΩ	<=10mΩ	<=10mΩ
INSULATION RESISTANCE	>100MΩ	>100MΩ	>100MΩ	>100MΩ
DEGREE OF PROTECTION	IP67	IP67	IP67	IP67
OPERATION TEMPERATURE	-40~85°C	-40~85°C	-40~85°C	-40~85°C

- NOTE:
1. TECHNICAL DATA: SEE TABLE 1
  2. RECOMMENDED MOUNT PANEL SEE DETAIL
  3. PRODUCT COMPLIES WITH IEC61076-2-101
  4. PLASTIC INERT MATERIAL:UL LISTED WITH UL94V0 FLAME RATING
  5. ALL MATERIALS TO BE ROHS COMPLIANT
  6. ALL MATERIALS TO BE REACH COMPLIANT
  7. PN INFORMATION FOR ASSEMBLY PARTS

- 注释:
- 1: 技术参数, 见表1
  - 2: 推荐开孔尺寸详见如图所示
  - 3: 产品符合标准IEC61076-2-101
  - 4: 塑胶材料符合UL标准, UL-94V0阻燃等级
  - 5: 所有材料符合ROHS参照标准TEC-138-705
  - 6: 所有材料符合REACH参照标准TEC-138-705
  - 7: 成品料号信息如下:

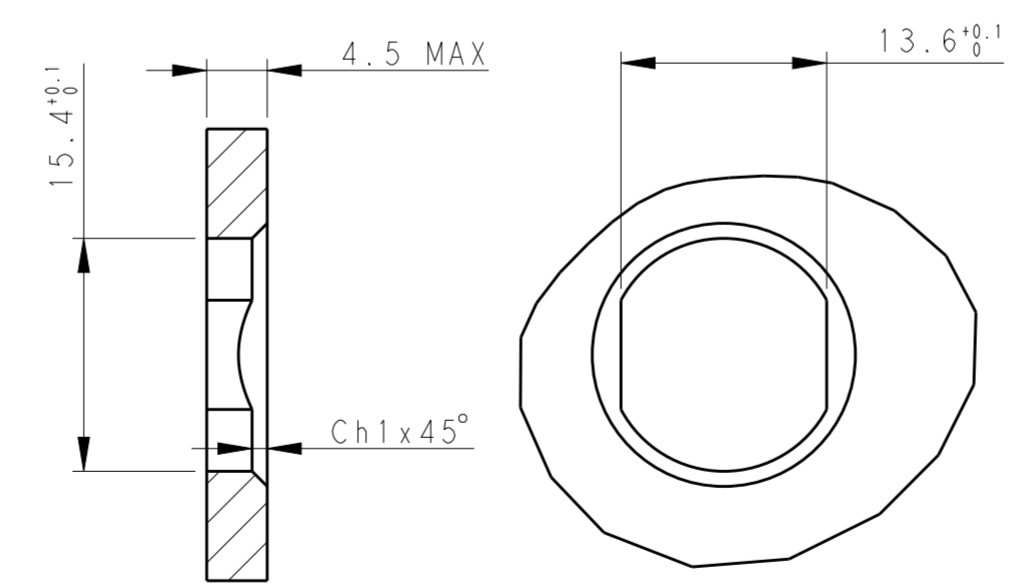
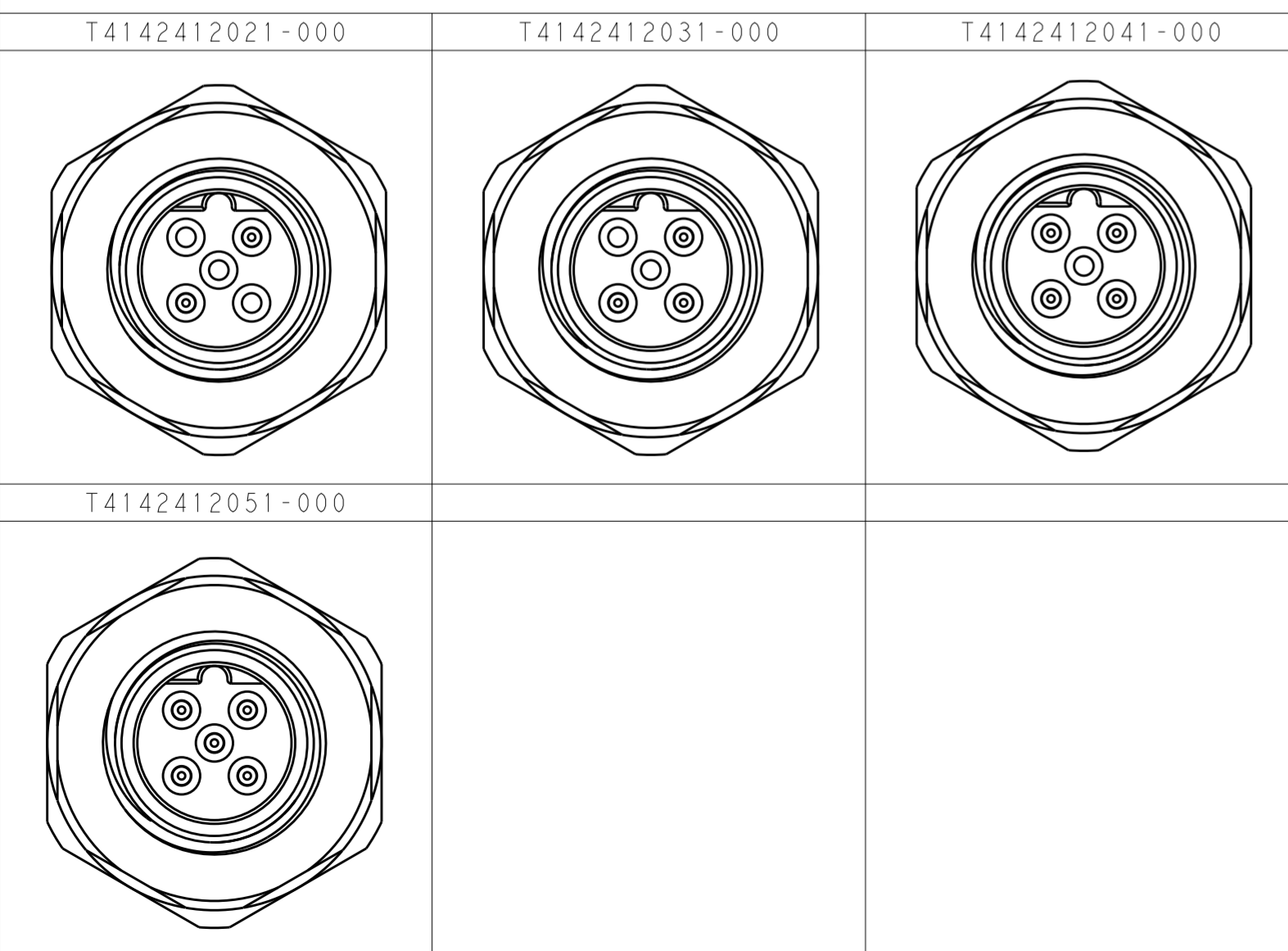
T41420120X1-000

- CONTACT FINISH:  
 1: GOLD 3u''  
 NUMBER OF PINS:  
 02: 2 PINS  
 03: 3 PINS  
 04: 4 PINS  
 05: 5 PINS

T41420120X1-000

- 端子电镀:  
 1: 3u''金  
 针数:  
 02: 2 针  
 03: 3 针  
 04: 4 针  
 05: 5 针

PIN ARRANGEMENT B-CODE



RECOMMENDED PANEL CUTOUT

T4142412021-000	RPC-M12B-MB-2CON-PG9-LBU
T4142412031-000	RPC-M12B-MB-3CON-PG9-LBU
T4142412041-000	RPC-M12B-MB-4CON-PG9-LBU
T4142412051-000	RPC-M12B-MB-5CON-PG9-LBU

TE PN	TYPE	5	2	3	4	5
3u'' GOLD MIN.	COPPER ALLOY CONTACT	5	2	3	4	5
200u'' NICKEL MIN.	COPPER ALLOY METAL NUT	4	1	1	1	1
-	O-RING	3	1	1	1	1
200u'' NICKEL MIN.	COPPER ALLOY M12, MALE, METAL BODY	2	1	1	1	1
-	PA66 M12, MALE HSG	1	1	1	1	1

THIS DRAWING IS A CONTROLLED DOCUMENT.

DWN BO GAO 02FEB2016  
 CHK KOBBY ZHAO 02FEB2016  
 APVD XIANG XU 02FEB2016

TE Connectivity

M12 PANEL MOUNT CONNECTOR  
 B CODE, MALE, FRONTING MOUNTING  
 PCB SOLDERING

SIZE A2 CAGE CODE - DRAWING NO. G-T41424120X1000 RESTRICTED TO -  
 SCALE 3:1 SHEET 1 OF 1 REV B

CUSTOMER DRAWING

## X-ON Electronics

Largest Supplier of Electrical and Electronic Components

*Click to view similar products for te connectivity manufacturer:*

Other Similar products are found below :

[570416-000](#) [CLTEQ-M81CE-SSRELAY-4-20V](#) [D38999/24FJ4AN](#) [358838-000](#) [4-1195131-0](#) [650069-000](#) [SMD100-2](#) [CB-1022B-78](#)  
[RM707012](#) [RP410012](#) [MMS42](#) [1-640426-8](#) [2EDL4CM](#) [DTS20W19-11PD-3028-LC](#) [RM202615](#) [NC6-P104-06](#) [MSPS103B](#) [DTS26F21-41AE](#) [DTS26F21-41PE-LC](#) [DTS26F21-11SE-3028-LC](#) [1932144-1](#) [293545-4](#) [LVR125S](#) [MS27466T25F4PB](#) [CKB-38-78010](#)  
[1206SFF150F/63-2](#) [D38999/20JB35HA](#) [D38999/24WJ20PA](#) [1754138-1](#) [TE1500A2R2J](#) [DTS24F25-29PC-3028-LC](#) [D38999/24WG11HA](#)  
[D38999/24WG11HN](#) [MS27467T21F11H](#) [DJT16E21-11HA](#) [1206SFH150F/24-2](#) [DTS24F19-11SC-3028-LC](#) [DTS24F21-41HN-LC](#)  
[DTS24F21-41AN](#) [DTS24F21-41PN-LC](#) [RP330024](#) [MS27467T21F35J](#) [MS27467T21F11J](#) [MS27467T21F16H-LC](#) [MS27467T21F35H](#)  
[MS27467T21F41H-LC](#) [DJT16E21-11PA-LC](#) [DJT16E21-11HA-LC](#) [DJT16E21-11AA](#) [MS27467T21B11JA](#)