

THIS DRAWING IS UNPUBLISHED. RELEASED FOR PUBLICATION 20
 © COPYRIGHT 20 BY - ALL RIGHTS RESERVED.

REVISIONS				
P	LTR	DESCRIPTION	DATE	APVD
A2		ECR-16-010931 UPDATE NAME	02AUG2016	L.Z X.X

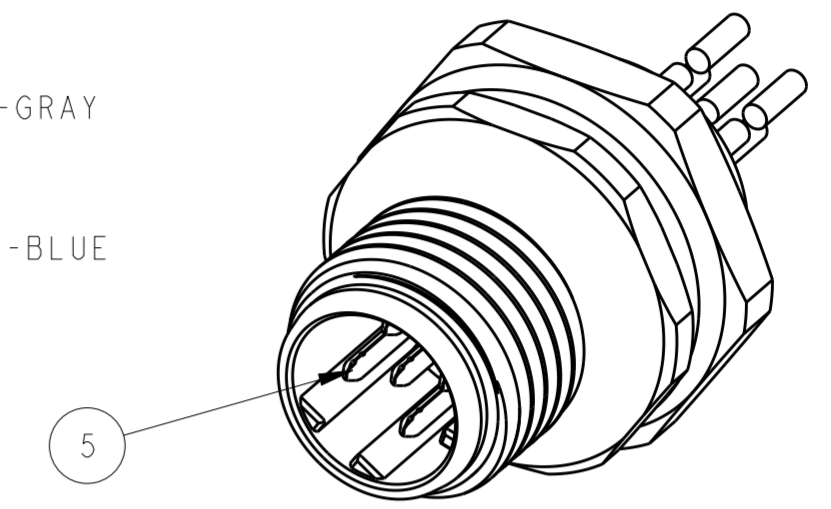
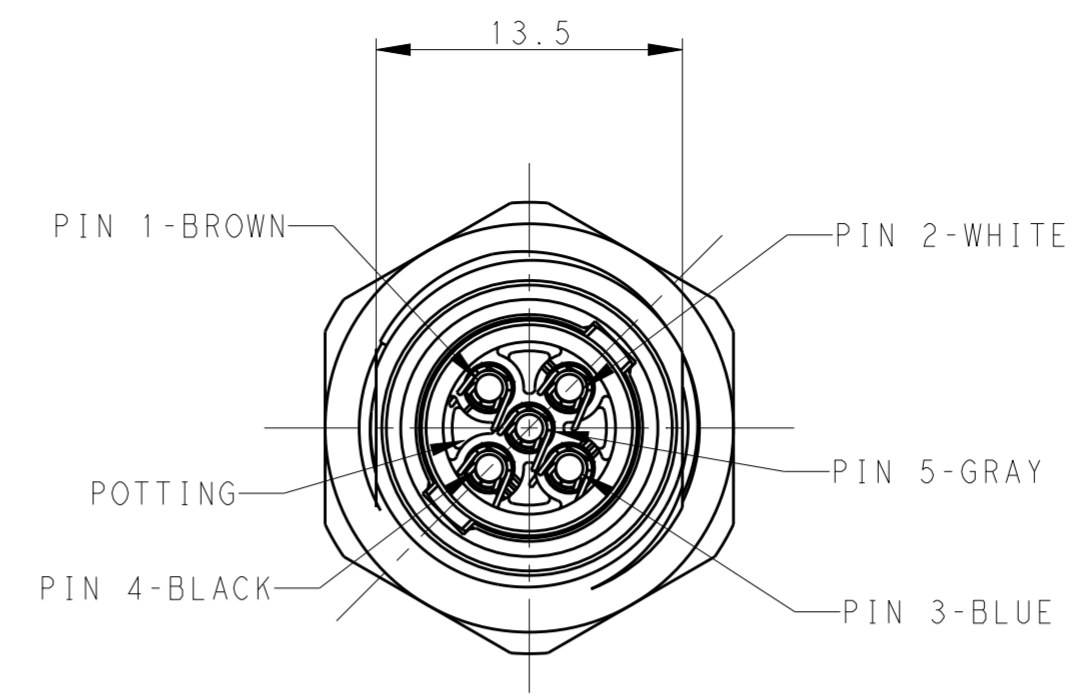
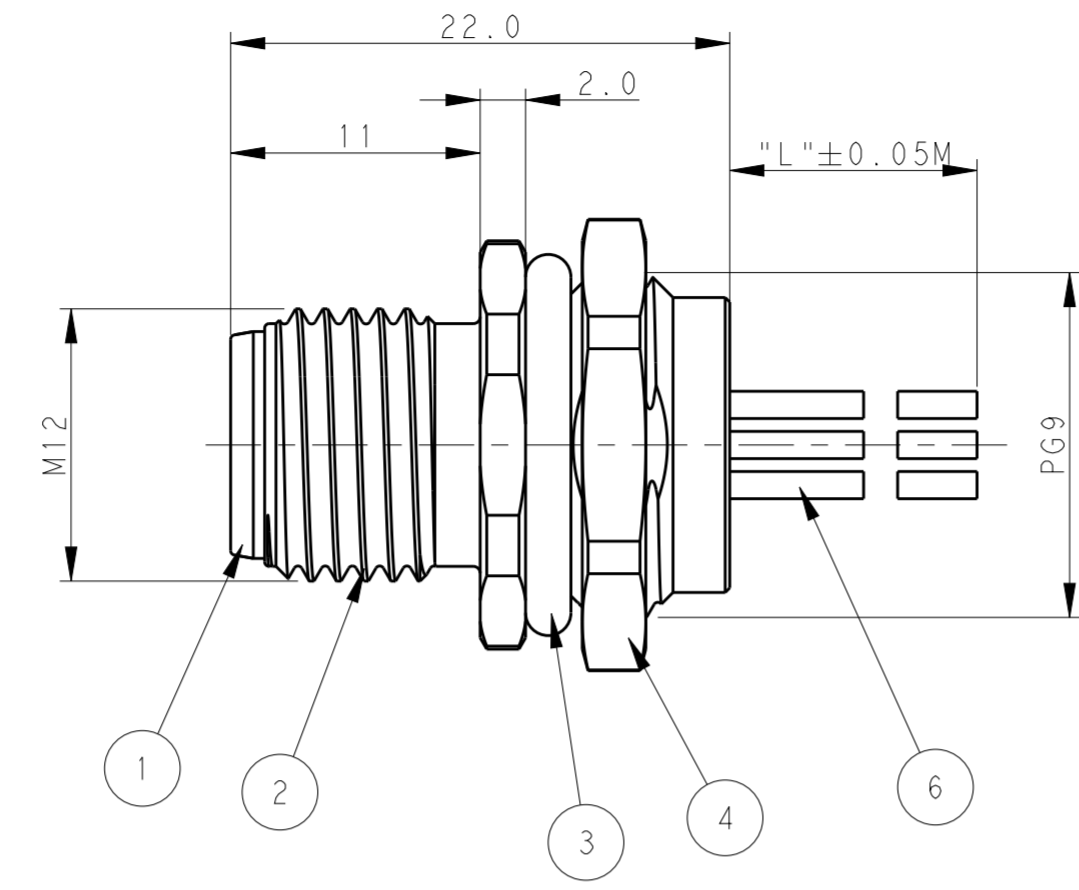
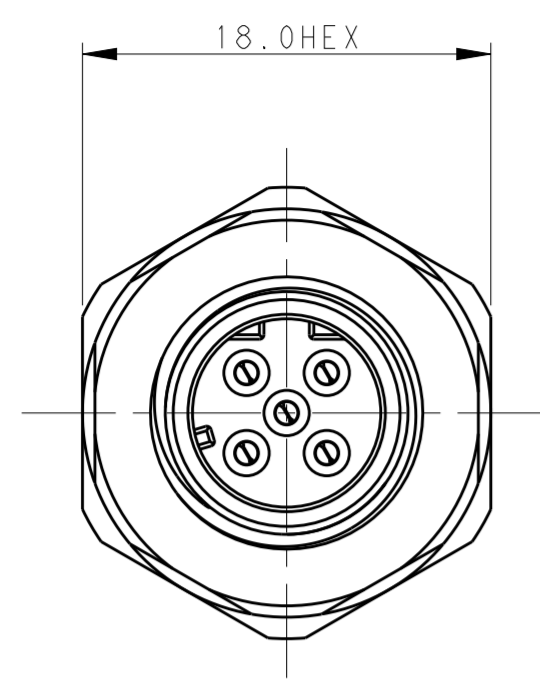


TABLE 1

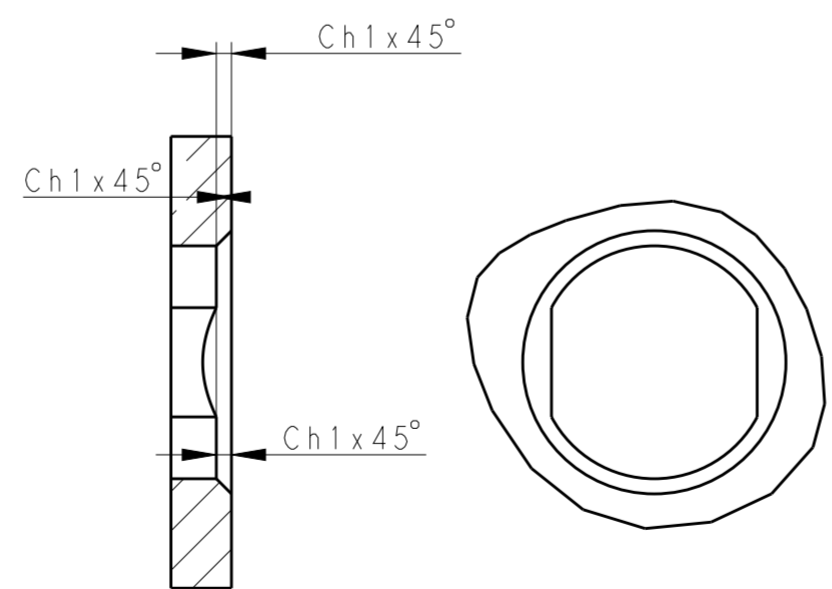
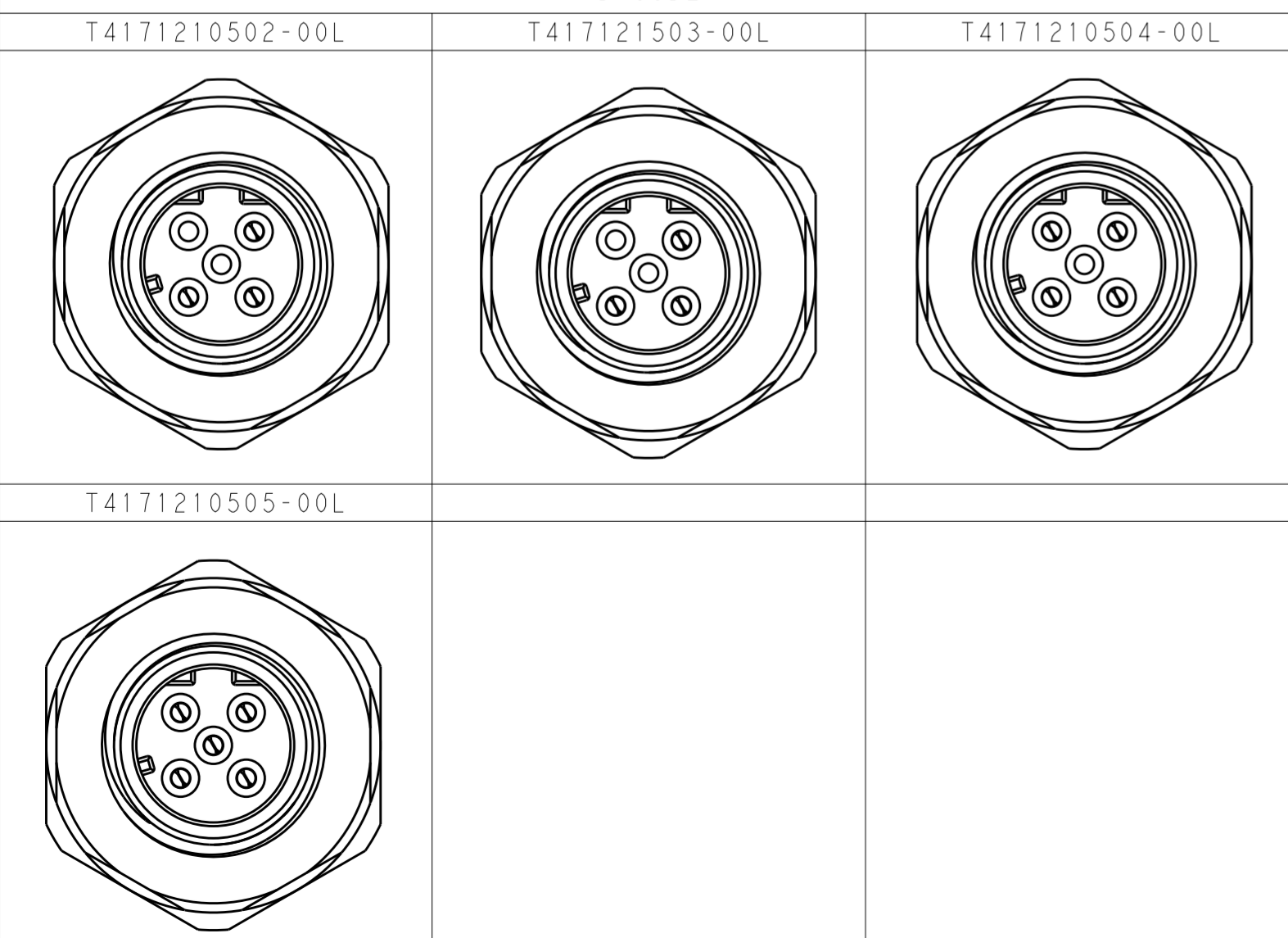
TECHNICAL DATA	T4171210502-00L	T4171210503-00L	T4171210504-00L	T4171210505-00L
RATED VOLTAGE	250V	250V	250V	60V
RATED CURRENT	4A	4A	4A	4A
POLLUTION DEGREE	3	3	3	3
OVERVOLTAGE CATEGORY	II	II	II	II
MATERIAL GROUP	II	II	II	II
CONTACT RESISTANCE	<=10mΩ	<=10mΩ	<=10mΩ	<=10mΩ
INSULATION RESISTANCE	>100MΩ	>100MΩ	>100MΩ	>100MΩ
DEGREE OF PROTECTION	IP67	IP67	IP67	IP67
OPERATION TEMPERATURE	-40~85°C	-40~85°C	-40~85°C	-40~85°C

NOTE:
 1. TECHNICAL DATA: SEE TABLE 1
 2. PRODUCT COMPLIES WITH IEC61076-2-101
 3. PLASTIC INERT MATERIAL:UL LISTED WITH UL94V0 FLAME RATING
 4. CABLE LENGTH SEE TABLE 2

注释:
 1: 技术参数, 见表1
 2: 产品符合标准IEC61076-2-101
 3: 塑胶材料符合UL标准, UL-94V0阻燃等级
 4: 线长度见表2

CABLE CHARACTERISTIC	CABLE LENGTH "L"	DESCRIPTION	POS	TABLE 2 PN
WIRES: 0.34MM^2(22AWG) WIRE PN AND COLOR: 1(BR)/2(WH)/3(BL)/4(BK)/5(GR)	-001: 0.2M -002: 0.5M -003: 1.0M -004: 1.5M -005: 3.0M -006: 5.0M -007: 7.0M -008: 10.0M	RPC-M12D-MB-5CON-PG9-**LAU	5	T4171210505-00L
		RPC-M12D-MB-4CON-PG9-**LAU	4	T4171210504-00L
		RPC-M12D-MB-3CON-PG9-**LAU	3	T4171210503-00L
		RPC-M12D-MB-2CON-PG9-**LAU	2	T4171210502-00L

PIN ARRANGEMENT D-CODE



RECOMMENDED PANEL CUTOUT

COMMENT	MATERIAL	DESCRIPTION	ITEM
FLASH GOLD	COPPER ALLOY	CABLE CONTACT	6 2 3 4 5
	COPPER ALLOY	METAL NUT	5 2 3 4 5
	-	O-RING	4 1 1 1 1
	COPPER ALLOY	M12, MALE, METAL BODY	3 1 1 1 1
BLACK	NYLON	M12, MALE HSG, D CODE, 5PINS	2 1 1 1 1

THIS DRAWING IS A CONTROLLED DOCUMENT.

DWN BO GAO 01APR2016
 CHK KOBBY ZHAO 01APR2016
 APVD XIANG XU 01APR2016

TE Connectivity

M12 PANEL MOUNT CONNECTOR D CODE, FEMALE, FRONT MOUNTING

108-106140
 114-137144

SCALE 2:1 SHEET 1 OF 1 REV A2

X-ON Electronics

Largest Supplier of Electrical and Electronic Components

Click to view similar products for te connectivity manufacturer:

Other Similar products are found below :

[570416-000](#) [CLTEQ-M81CE-SSRELAY-4-20V](#) [D38999/24FJ4AN](#) [358838-000](#) [4-1195131-0](#) [650069-000](#) [SMD100-2](#) [CB-1022B-78](#)
[RM707012](#) [RP410012](#) [MMS42](#) [1-640426-8](#) [2EDL4CM](#) [DTS20W19-11PD-3028-LC](#) [RM202615](#) [NC6-P104-06](#) [MSPS103B](#) [DTS26F21-41AE](#) [DTS26F21-41PE-LC](#) [DTS26F21-11SE-3028-LC](#) [1932144-1](#) [293545-4](#) [LVR125S](#) [MS27466T25F4PB](#) [CKB-38-78010](#)
[1206SFF150F/63-2](#) [D38999/20JB35HA](#) [D38999/24WJ20PA](#) [1754138-1](#) [TE1500A2R2J](#) [DTS24F25-29PC-3028-LC](#) [D38999/24WG11HA](#)
[D38999/24WG11HN](#) [MS27467T21F11H](#) [DJT16E21-11HA](#) [1206SFH150F/24-2](#) [DTS24F19-11SC-3028-LC](#) [DTS24F21-41HN-LC](#)
[DTS24F21-41AN](#) [DTS24F21-41PN-LC](#) [RP330024](#) [MS27467T21F35J](#) [MS27467T21F11J](#) [MS27467T21F16H-LC](#) [MS27467T21F35H](#)
[MS27467T21F41H-LC](#) [DJT16E21-11PA-LC](#) [DJT16E21-11HA-LC](#) [DJT16E21-11AA](#) [MS27467T21B11JA](#)