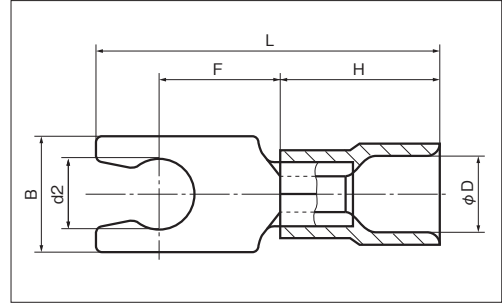
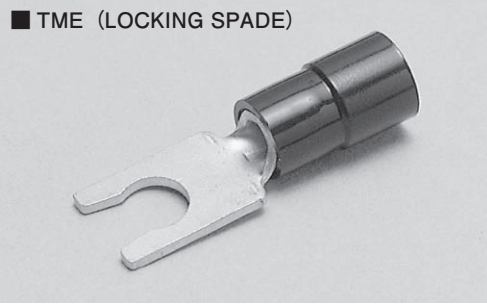


INSULATED SPADE TERMINALS (Y TYPE) TMEV : Vinyl



PART NUMBER	DIMENSIONS mm						WIRE RANGE		TOOL No.		STD QTY/BOX
	d2	B	L	F	H	φD	STRANDED mm ²	AWG	HAND TOOL No.		
									TOOL BODY No.	DIES No.	
TMEV 1.25LY-3S ○	3.2	6.4	19.5	6.6	10.0	4.1	0.3~1.65	22-16	NH 11		1,000 (100×10)
1.25LY-3.5S ○	3.7								NH 32		
1.25LY-4S ○	4.3								NA 10	N10 11	
1.25LY-5S ○	5.3								NA 3	N3 11	
TMEV 2LY-3S ○	3.2	6.4	19.5	6.6	10.0	4.5	1.04 ∫ 2.63	16-14	NH 12		1,000 (100×10)
2LY-3.5S ○	3.7								NH 32		
2LY-4S ○	4.3								NA 10	N10 12	
2LY-5S ○	5.3								NA 3	N3 12	
TMEV 5.5LY-3.5S ○	3.7	7.9	25.7	7.6	14.0	6.8	2.63 ∫ 6.64	12-10	NH 13		100
5.5LY-4S ○	4.3								NA 10	N10 13	
5.5LY-5S ○	5.3								NA 3	N3 13	

NOTE

- : UL/CSA INSULATOR MATERIAL
- Refer to page 33 for UL/CSA, insulator material/color, proper strip length of wire and Nylon insulated products.
- TMD & TMDEN Type are also available, see page 34.
- Transparents and colored insulators are available for TMEV(Vinyl).