

# VARISTOR



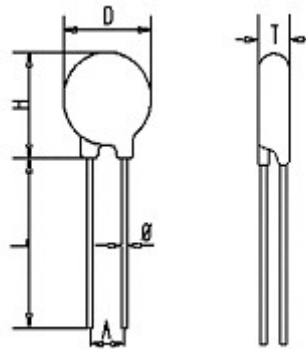
## VAR5 Series

VAR5 Series varistors Size (mm)

Dmax	7.5
Hmax	9.5
Lmin	25
A±1	5
□±0.02	0.6

VAR5 Series varistor thickness T<sub>max</sub>(mm)

VAR5-11 – VAR5-60	5.0
VAR5-150	5.5
VAR5-250 – VAR5-300	6.0
VAR5-420	7.0



Part No.	Varistor Voltage	Max.Allowable Voltage		Max.Clamping Voltage (8/20μS)		Energy (J)		Peak Current (8/20μS)		Rated Wattage (W)	Capacitance 1kHz (pF)
	V1mA (v)	Acrms (v)	DC (v)	Vc (v)	Ip (A)	10/1000 μS	2ms	1time (kA)	2times (kA)		
VAR5-11	15.5-21	11	14	40	1	0.6	0.4	250	125	0.01	3,500
VAR5-25	35-43	25	31	86	1	1.2	0.9	250	125	0.01	1,450
VAR5-35	50-62	35	45	123	1	1.8	1.3	250	125	0.01	1,050
VAR5-50	74-90	50	65	145	5	3.5	2.5	800	600	0.1	930
VAR5-60	90-110	60	85	175	5	4.0	3.0	800	600	0.1	860
VAR5-150	216-264	150	200	415	5	10.5	7.5	800	600	0.1	165
VAR5-250	351-429	250	320	675	5	17	12	800	600	0.1	105
VAR5-275	387-473	275	350	745	5	20	15	800	600	0.1	100
VAR5-300	423-517	300	385	810	5	21	15	800	600	0.1	90
VAR5-420	612-748	420	560	1120	5	25	19	800	600	0.1	68