



# VC.254

## Lobe knobs

Duroplast



### Main specifications

#### Material

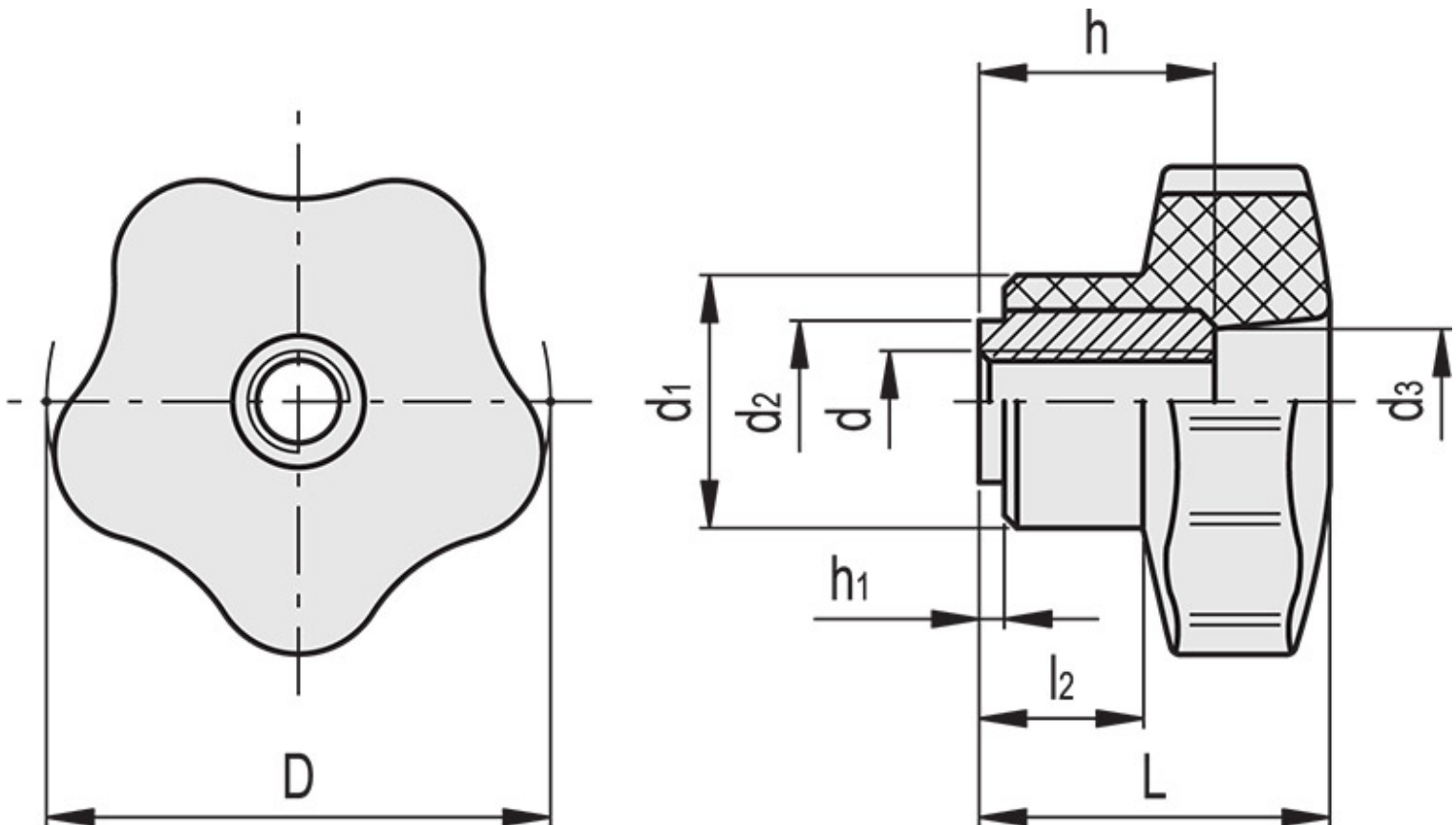
Phenolic based (PF) Duroplast, black colour, glossy finish.

#### Standard execution

Brass boss, threaded pass-through hole and large metal locking face.

#### Conformity

UNI 6960-71 type B with pass-through hole.



Code	Description	D	d <sub>6H</sub>	L	d <sub>1</sub>	d <sub>2</sub>	d <sub>3</sub>	l <sub>2</sub>	h	h <sub>1</sub>	Weight
<b>67501</b>	VC.254/40 B-M6	40	M6	28	21	14	13	13	18	1.5	42
<b>67511</b>	VC.254/40 B-M8	40	M8	28	21	14	13	13	18	1.5	38
<b>67521</b>	VC.254/40 B-M10	40	M10	28	21	14	13	13	18	1.5	34
<b>67601</b>	VC.254/50 B-M10	50	M10	34	25	16	13	15	22	1.5	62
<b>67611</b>	VC.254/50 B-M12	50	M12	34	25	16	13	15	22	1.5	55
<b>67701</b>	VC.254/60 B-M10	60	M10	38	27	17	15	18	26	1.5	97
<b>67711</b>	VC.254/60 B-M12	60	M12	38	27	17	15	18	26	1.5	90
<b>67721</b>	VC.254/60 B-M14	60	M14	38	27	17	15	18	26	1.5	85
<b>67801</b>	VC.254/70 B-M12	70	M12	45	30	17	17	21	26	1.5	125
<b>67811</b>	VC.254/70 B-M14	70	M14	45	30	17	17	21	26	1.5	115
<b>67901</b>	VC.254/85 B-M16	85	M16	56	35	24	18	32	35	2	210