

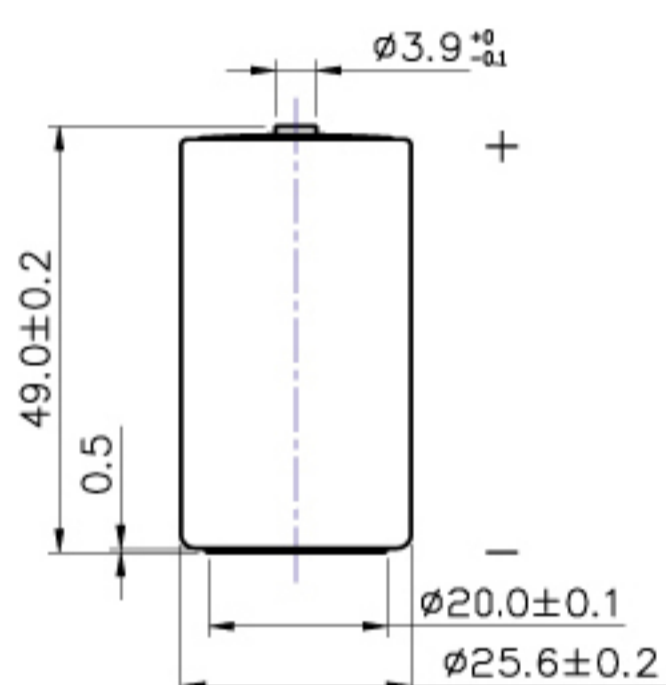
SPECIFICATIONS

(Typical values for batteries stored at 20 °C for one year)

Nominal Capacity (At 3mA/20°C/68°F/2.0V Cut-Off)	8.5 Ah
Open Circuit Voltage (At 20°C/68°F)	3.67 V
Nominal Voltage (At 3mA/20°C/68°F)	3.6 V
Maximum Continuous Current	230 mA
Maximum Pulse Current Capability	400 mA
Operating Temperature Range	-55 ~ 85 °C
Weight	51 g (1.8 oz)
Anode Surface Area	30 cm ²
Volume	26 cm ³
Diameter (Max)	26.2 mm
Height (Max)	50 mm

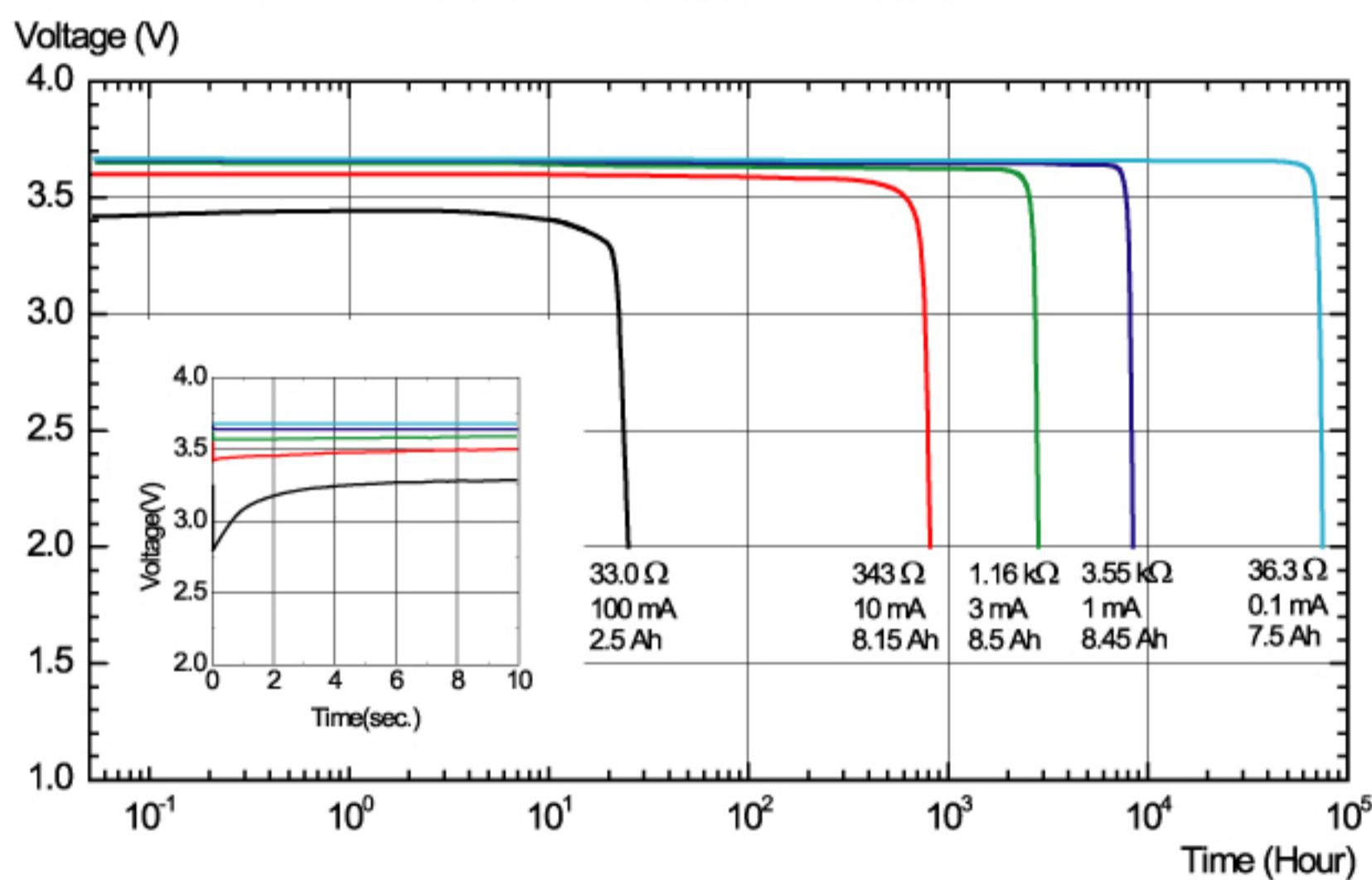


DIMENSIONS IN MM

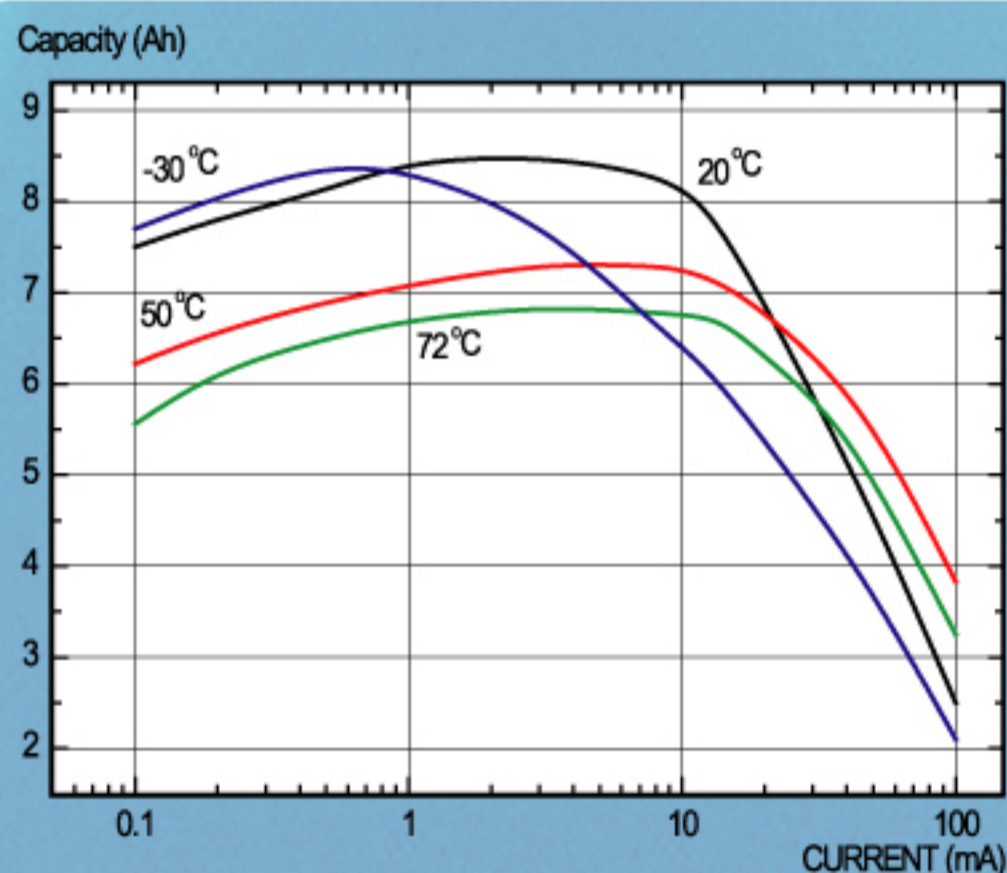


WARNING
 Fire, Explosion And Severe Burn Hazard.
 Do Not Recharge, Crush, Disassemble,
 Heat Above 212°F(100°C), Incinerate
 Or Expose Contents To Water

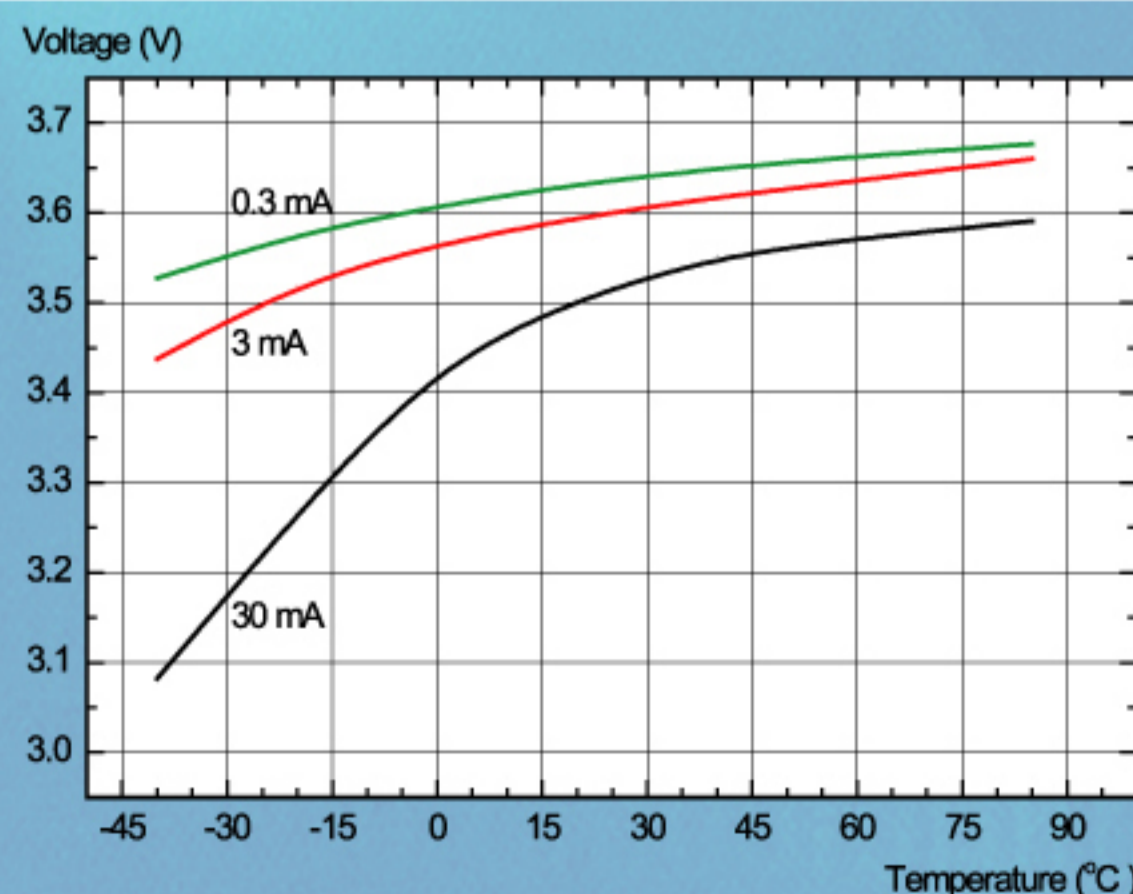
DISCHARGE CHARACTERISTICS AT +20°C



CAPACITY vs. CURRENT



OPERATING VOLTAGE

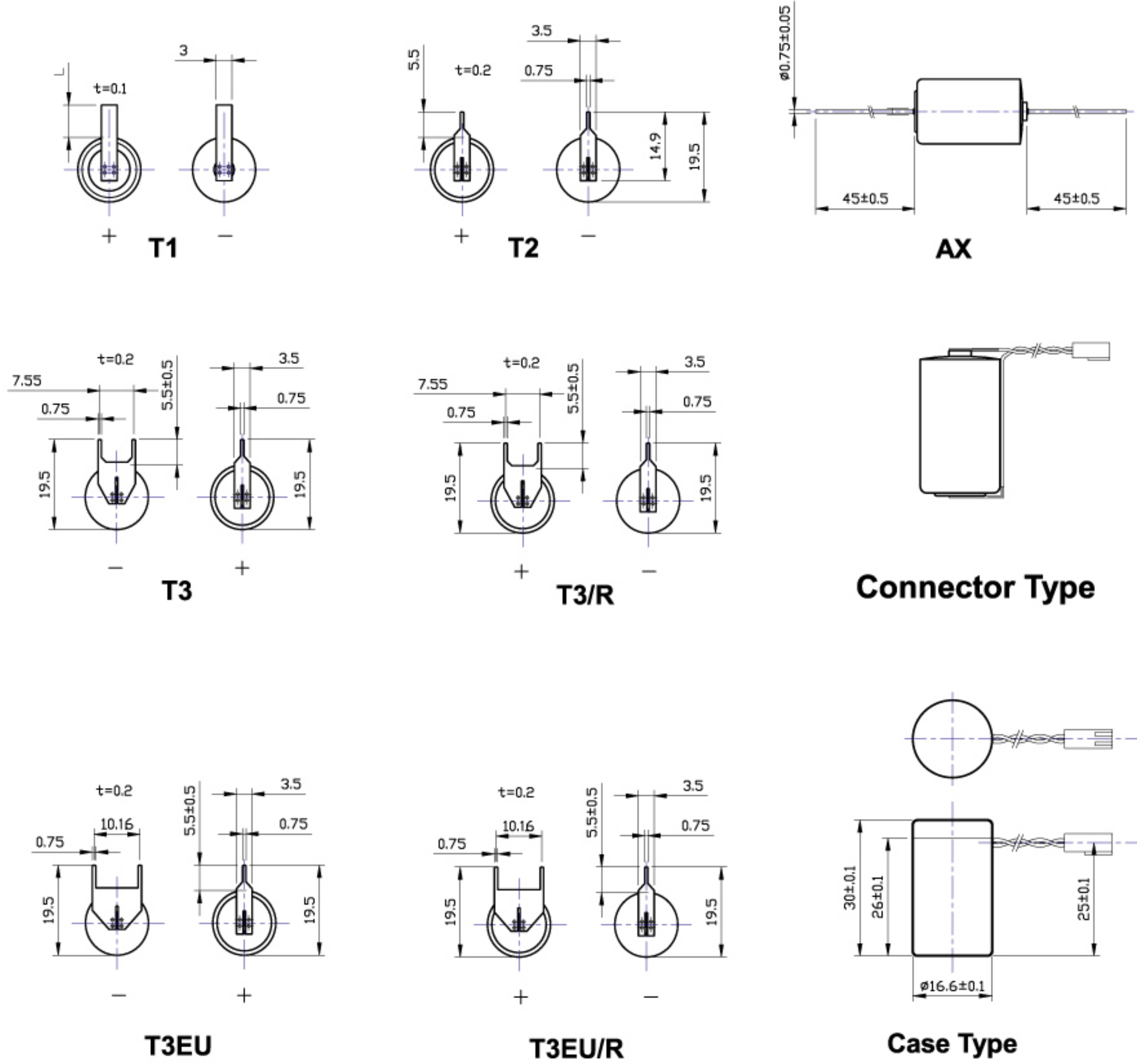


Any values in product catalogues are for informational purposes only.
 They can also differ from actual conditions of usage and are not warranties of future performance.

XenoEnergy Lithium Battery

Terminals

(Unit : mm)



Model	T1/L(mm)	T2	T3 & T3/R	T3EU & T3EU/R	AX	Connector Type	Case Type
XL-050F	○/(7±0.5)	○	○	○	○	○	○
XL-050H	○/(7±0.5)	○	○	○	○	○	○
XL-055F	○/(7±0.5)	○	○	○	○	○	○
XL-060F	○/(7±0.5)	○	○	○	○	○	○
XL-060H	○/(7±0.5)	○	○	○	○	○	○
XL-140F	○/(16±1)				○	○	
XL-145F	○/(16±1)				○	○	
XL-200F	○/(16±1)				○	○	
XL-205F	○/(16±1)				○	○	
XL-210F					○		