

A |

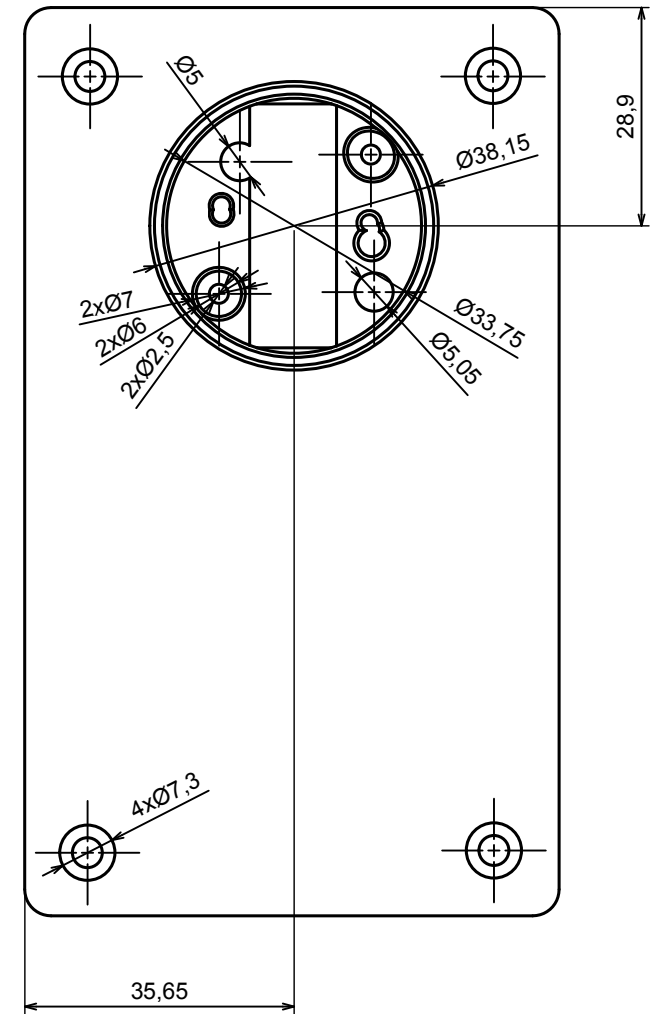
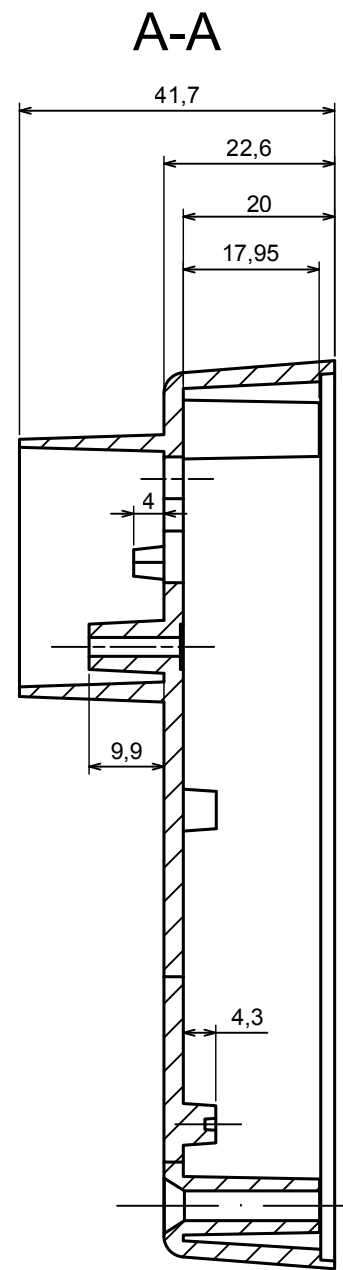
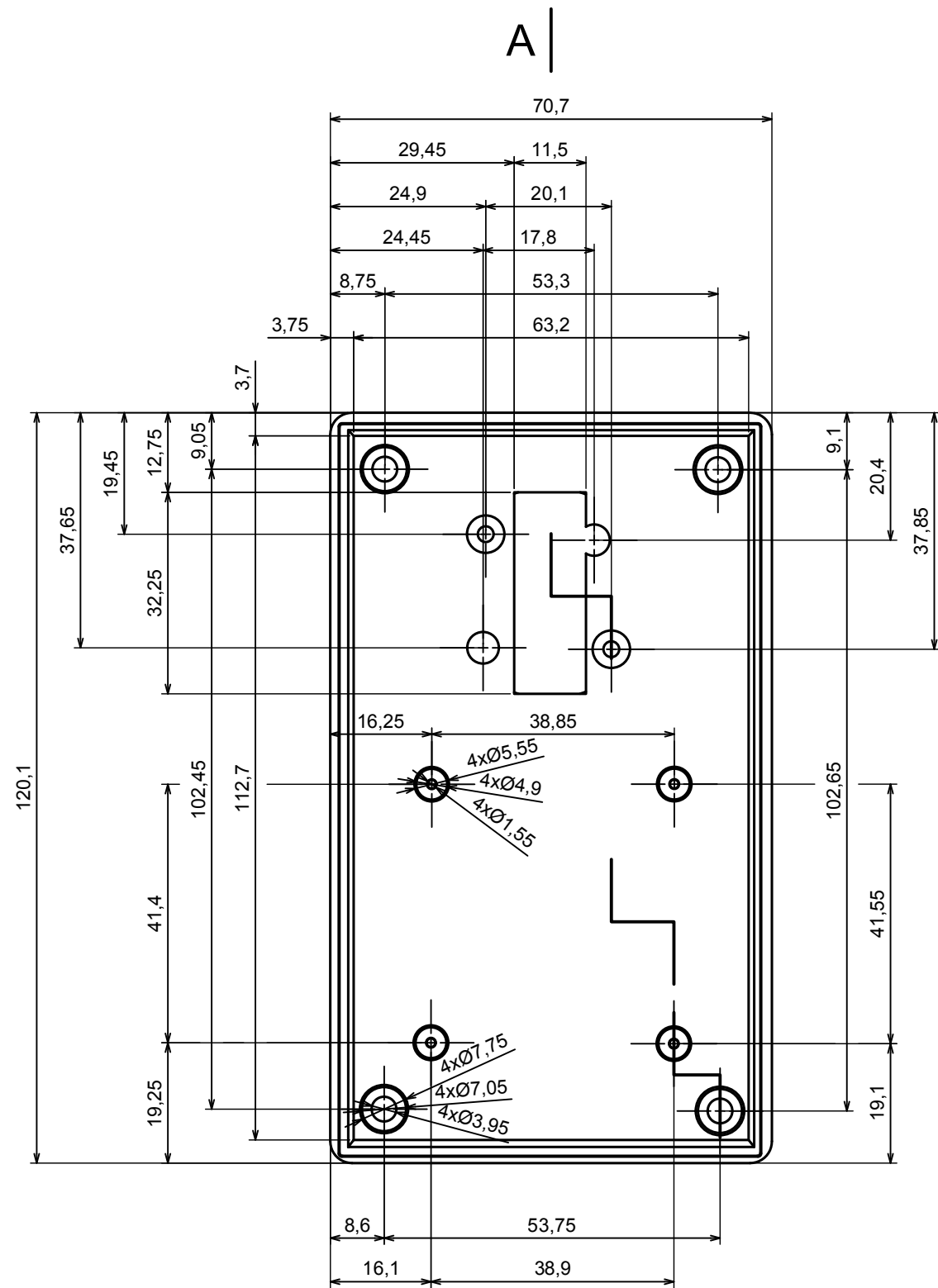
All rights reserved, Copyright Kradex 2017

Product model Enclosure Z27 - Assembly

Format: A3 Material: PS, ABS

Scale 1:1 Tolerance: +/- 0.8





A |

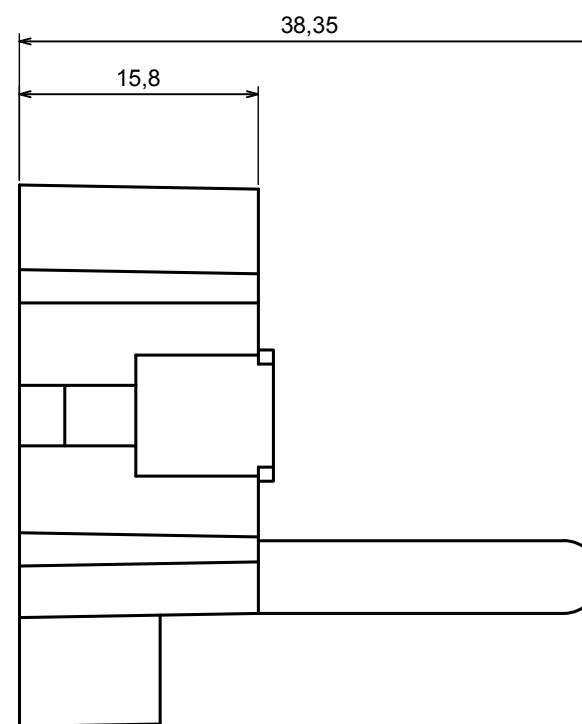
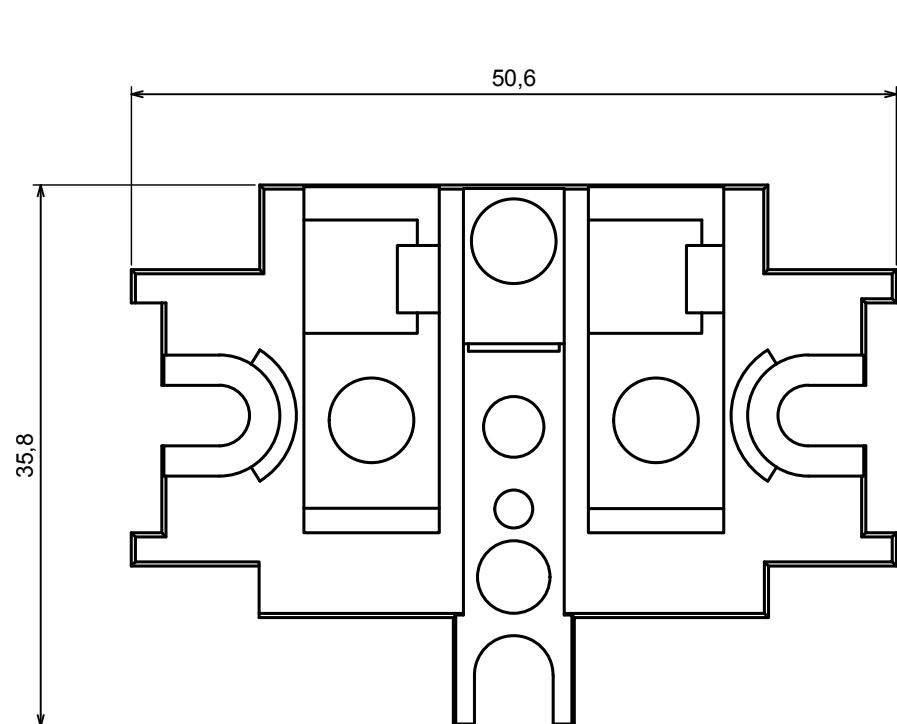
All rights reserved, Copyright Kradox 2017

Product model: Enclosure Z27 - Base


Format: A3 | Material: PS, ABS

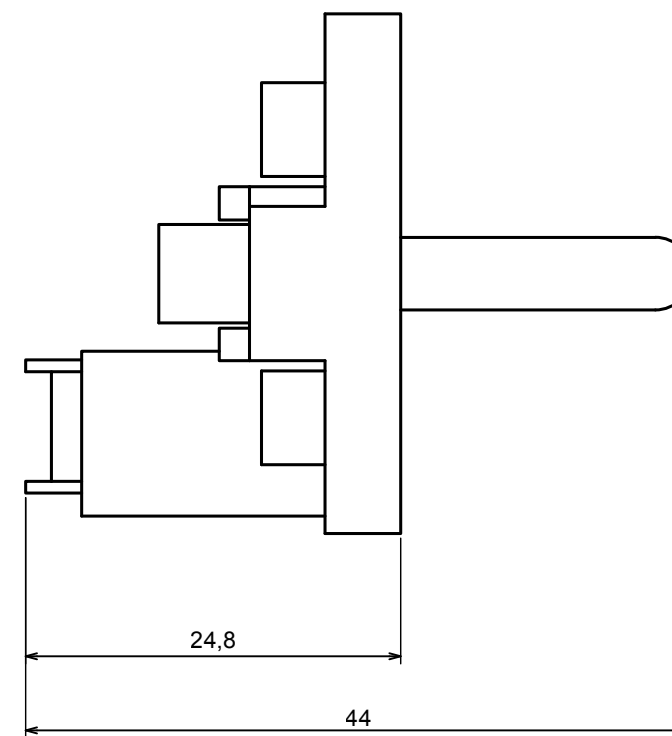
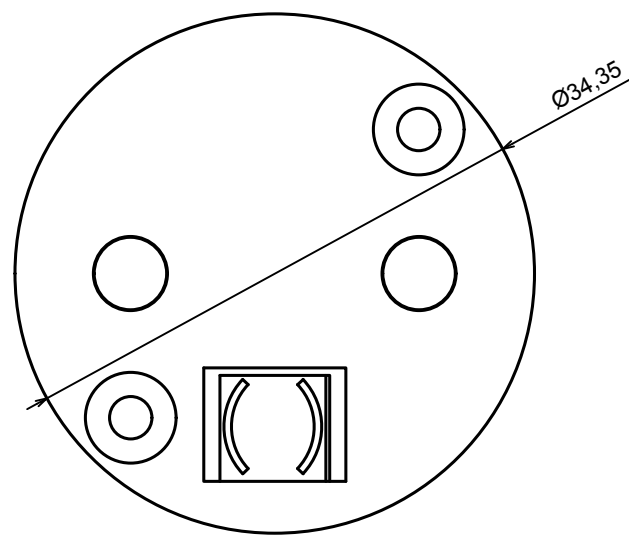
Scale 1:1 | Tolerance: +/- 0.8






Uwaga - Element firmy Ospel

All rights reserved, Copyright Kradex 2017		
Product model	Enclosure Z27 - Element firmy Ospel	
Format: A3	Material:	
Scale 2:1	Tolerance: +/-0.5	



Uwaga - Element firmy Schneider Electric

All rights reserved, Copyright Kradox 2017		
Product model	Enclosure Z27 - Schneider Electric W-131	
Format: A3	Material:	
Scale 2:1	Tolerance: +/-0.5	