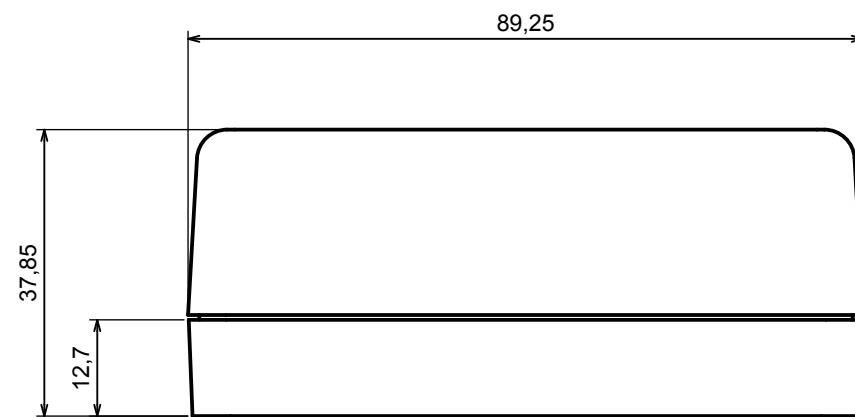
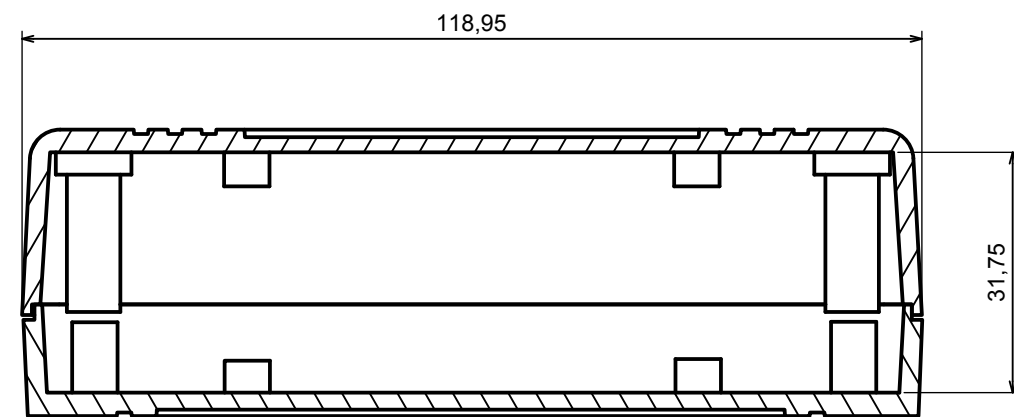



A |



A |

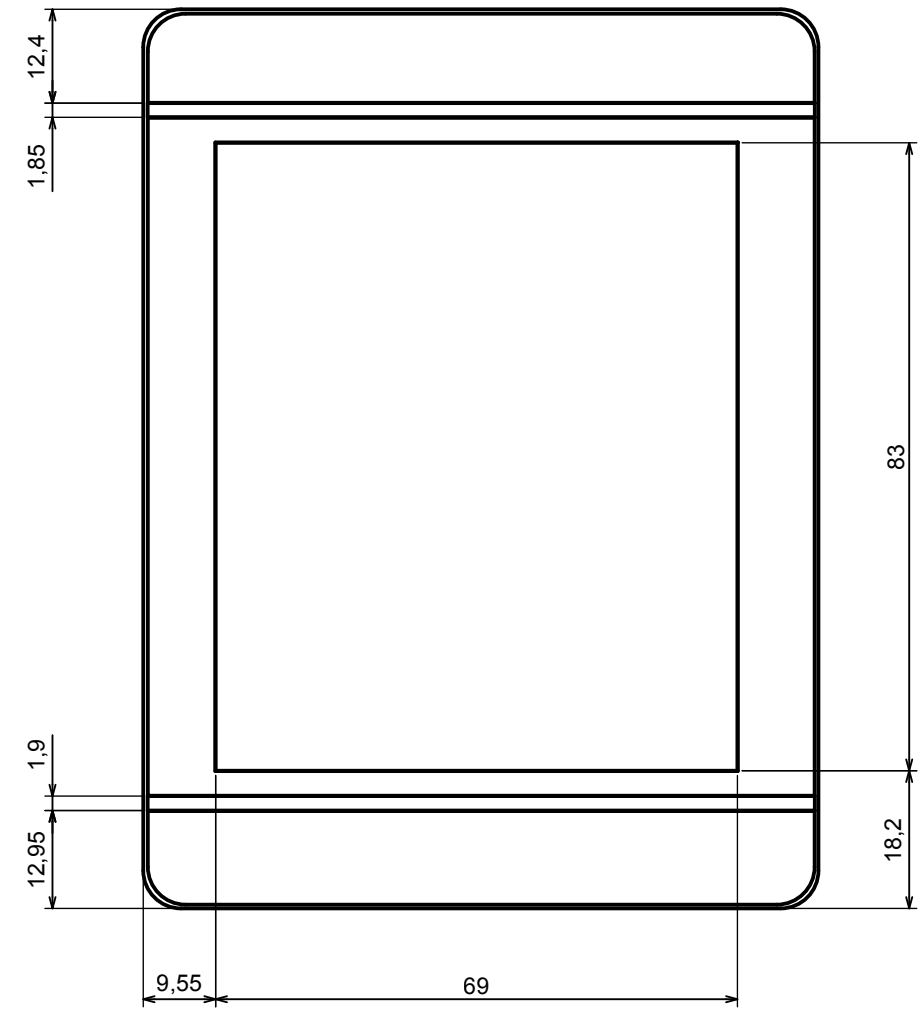
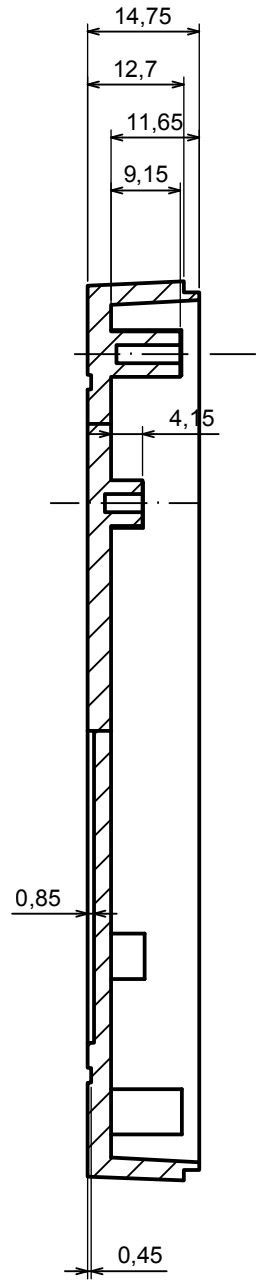
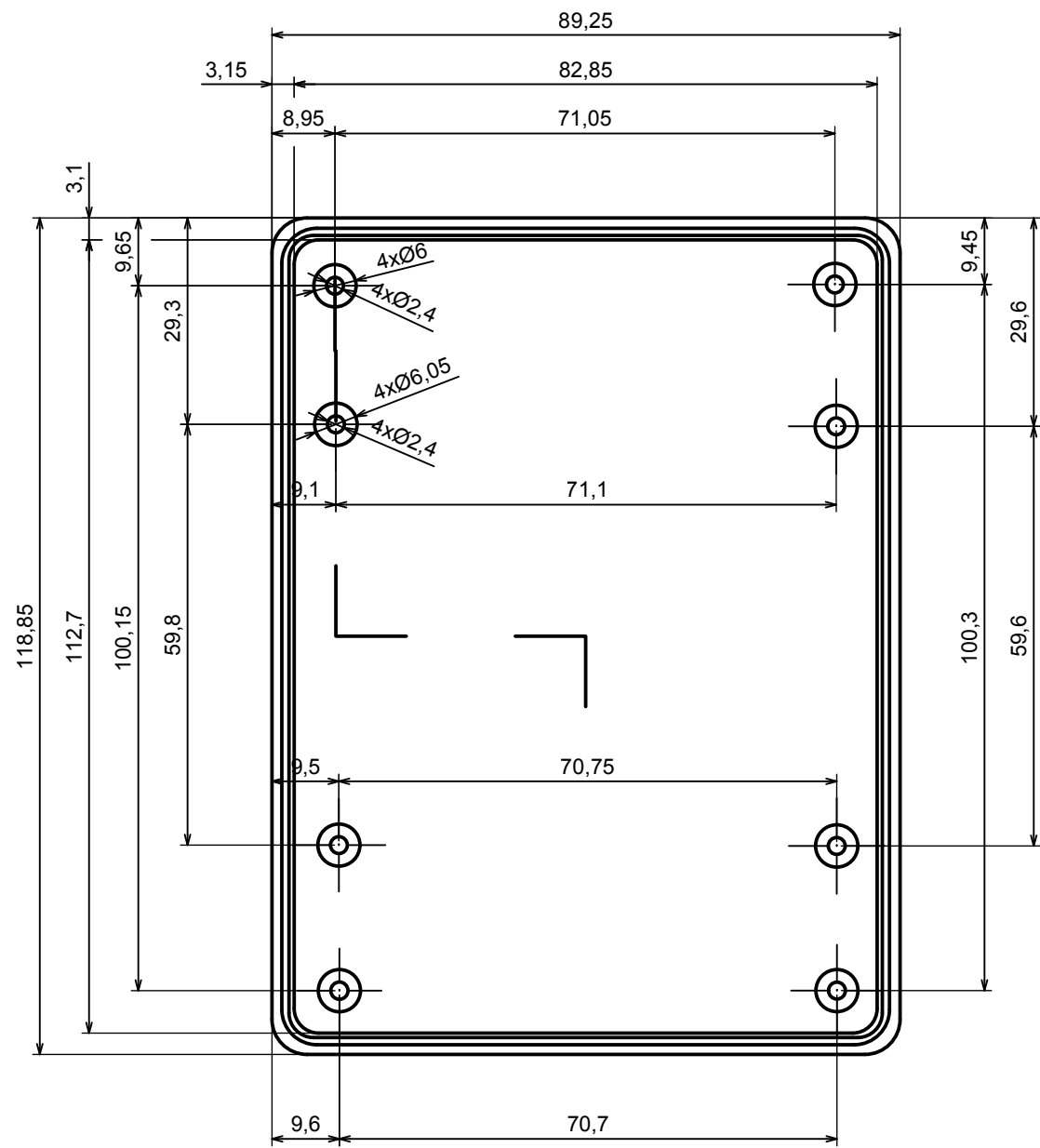
A-A




All rights reserved, Copyright Kradox 2017		
Product model	Enclosure Z80 - Assembly	
Format: A3	Material: PS, ABS	
Scale 1:1	Tolerance: +/- 0.5	

A |

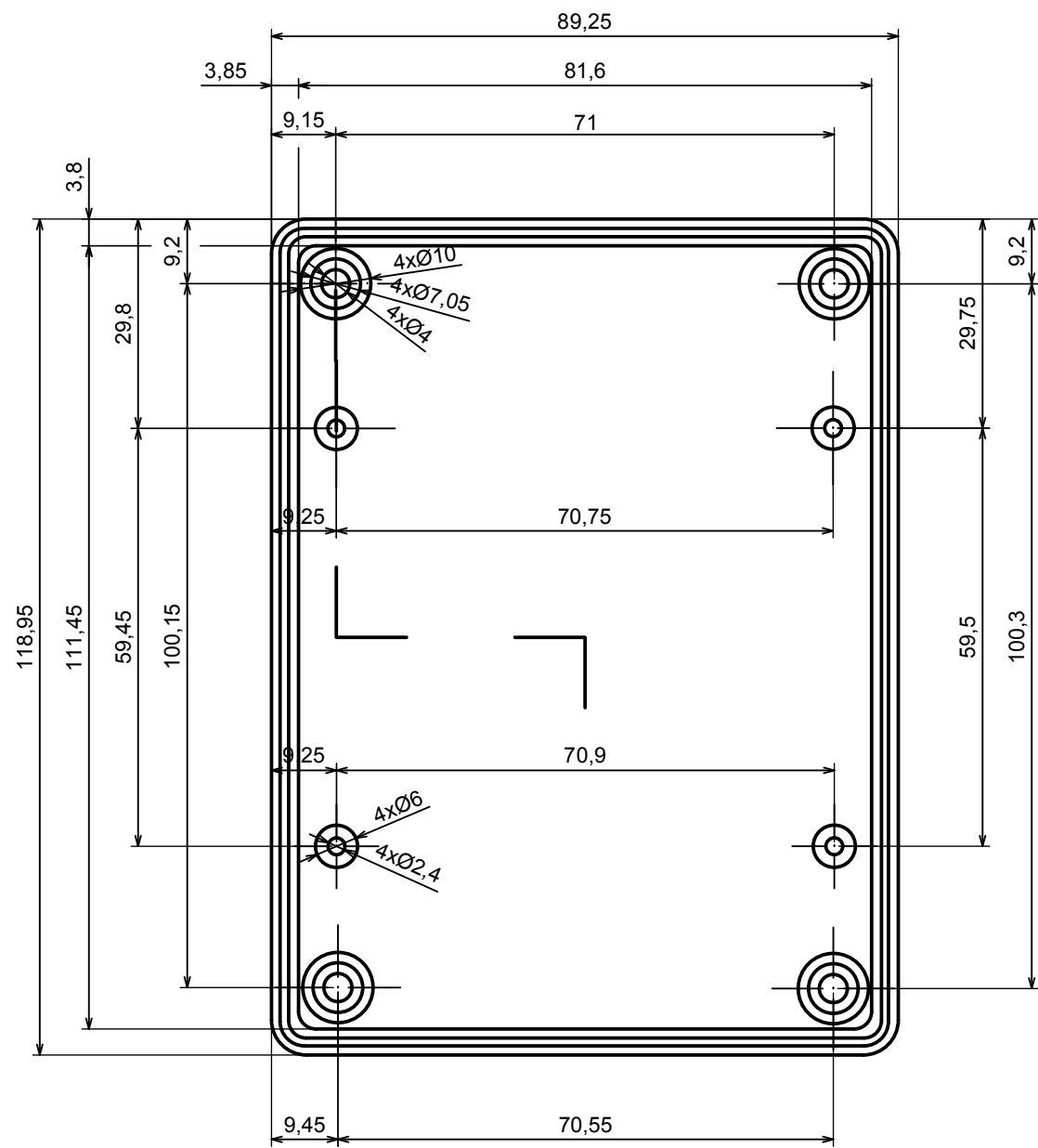
A-A



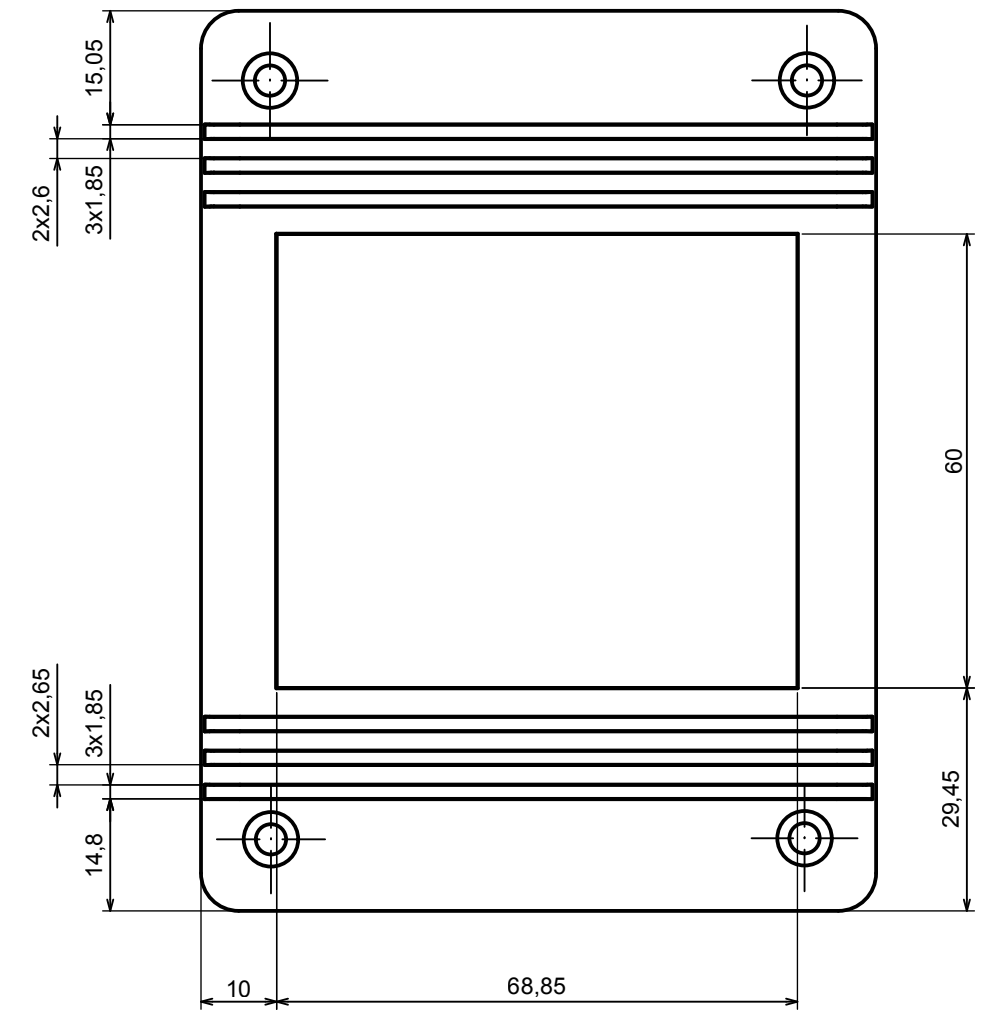
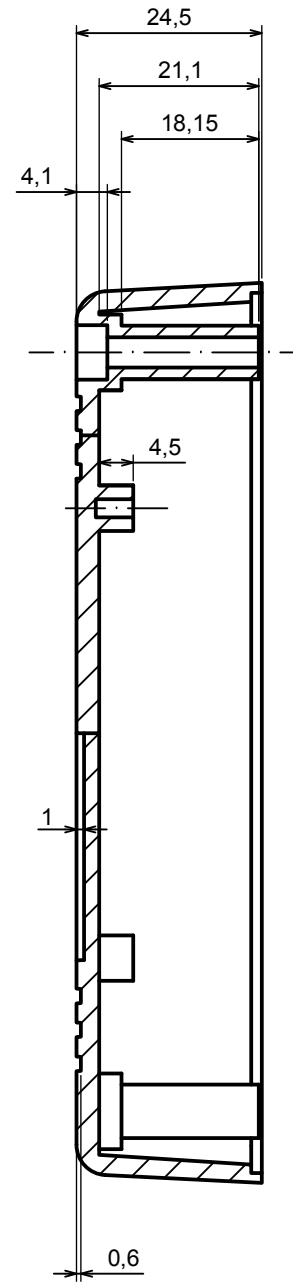
A |

All rights reserved, Copyright Kradox 2017		
Product model	Enclosure Z80 - Base	
Format: A3	Material: PS, ABS	
Scale 1:1	Tolerance: +/- 0.5	


A |



A-A



A |

All rights reserved, Copyright Kradox 2017		
Product model	Enclosure Z80 - Cover	
Format: A3	Material: PS, ABS	
Scale 1:1	Tolerance: +/- 0.5	