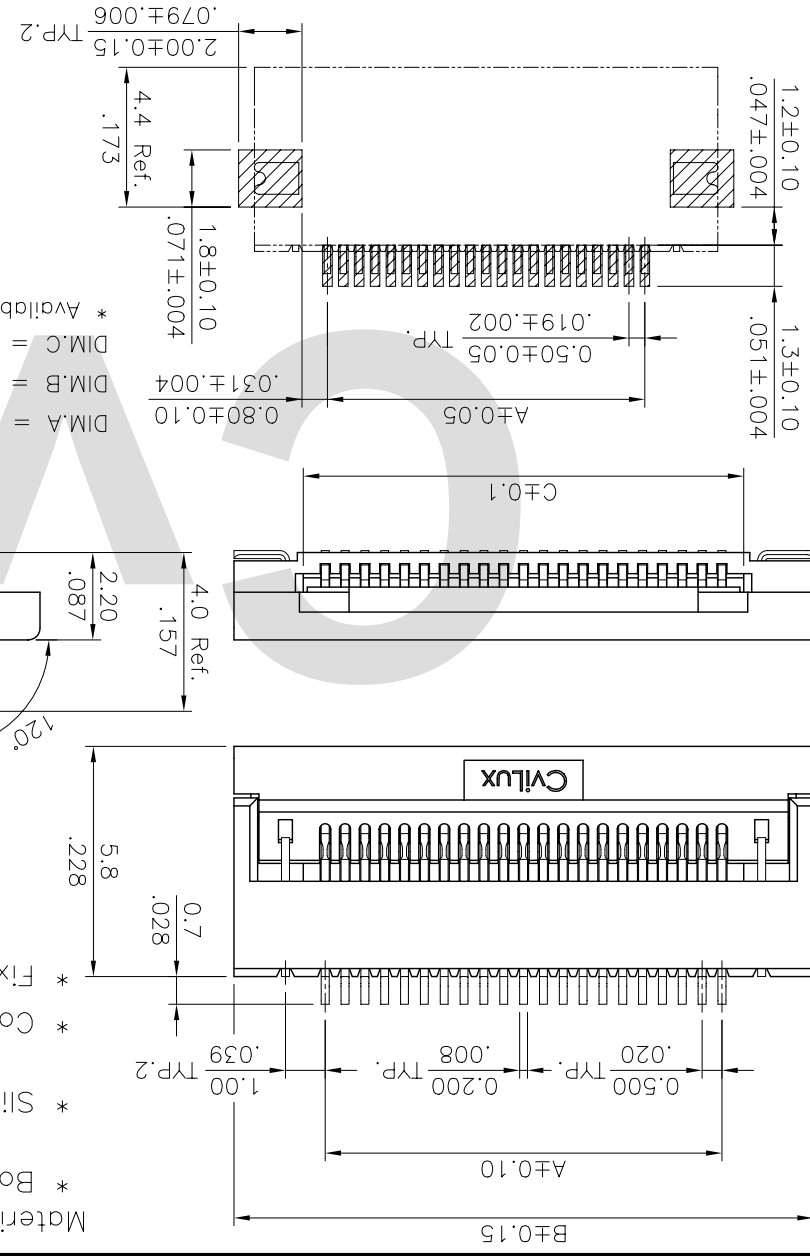


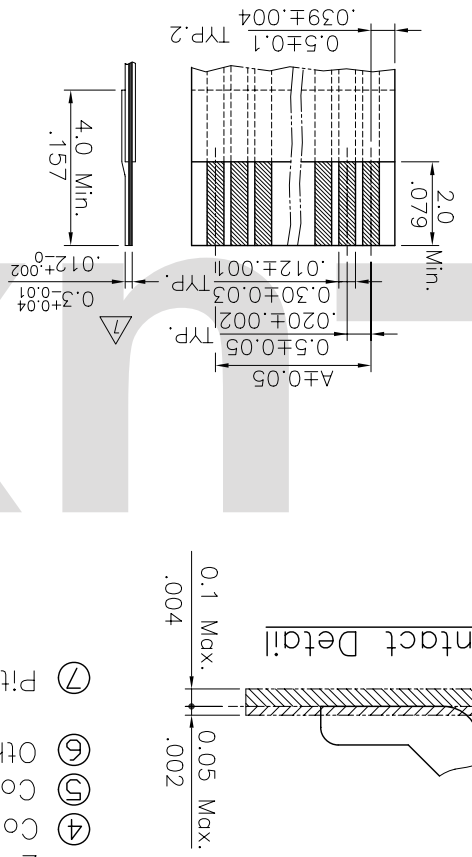
SYM	NAME	DATE	REVISIONS	APPROVED BY:	9/28-07	Alex	9/28-07	XXX ± 0.05/002	FINISH:	SCALE	5 / 1	SHEET 1 OF 2	
7	Sandy	9/22-07	ECN07381/ECR07065-1	CHECKED BY:	9/28-07	David	9/28-07	XX ± 0.10/004	MATERIAL:	DRAWING NO.	CF2502SH	PART NO.	CF25***D0*0-05
4	Hank	7/24/06	ECN06252	ENGINEER:	9/28-07	Eisley	9/28-07	X ± 0.15/006	TITLE: 0.50mm(.020") ZIF FFC/FPC	 Cvilux Corporation 瀚菱股份有限公司			
5	Sandy	4/29-07	ECN07153	DRAWN BY:	9/22-07	Sandy	9/22-07	UNLESS OTHERWISE SPECIFIED TOLERANCE	UNIT: mm / inch				
6	Sun	6/15-07	ECN07246		DATE								

Recommended P.C. Board Layout



DIM.A = 0.50 x No. of Spaces
 DIM.B = DIM.A + 4.6
 DIM.C = DIM.A + 1.1
 * Available in 5 through 65 circuits

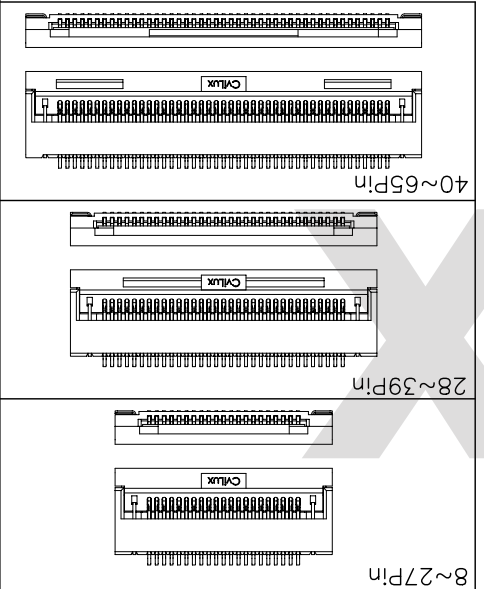
Accommodated FFC/FPC




Contact Detail

- Ordering Code
 CF25 ** 1 D 0 * 0 - 05
- ① Series No.
 - ② No. of Circuits
 - ③ Plating code:
 - ④ Contact style: D = Downside contact
 - ⑤ Color: 0 = Nature
 - ⑥ Other option: R0 = Tape & Reel
 - ⑦ Pitch: 05 = 0.50 mm
- 2 = Gold flash over 50µ"min. Nickel
 1 = Matte Tin plated over Nickel
- * Body : PA6T or PA9T with 30% GF. UL 94V-0
 Color Nature(Ivory)
 Color Black
- * Contact : Phosphor Bronze
 * Fixed tab : Brass with Tin Plated

Lead Free Process
 ROHS Compliant

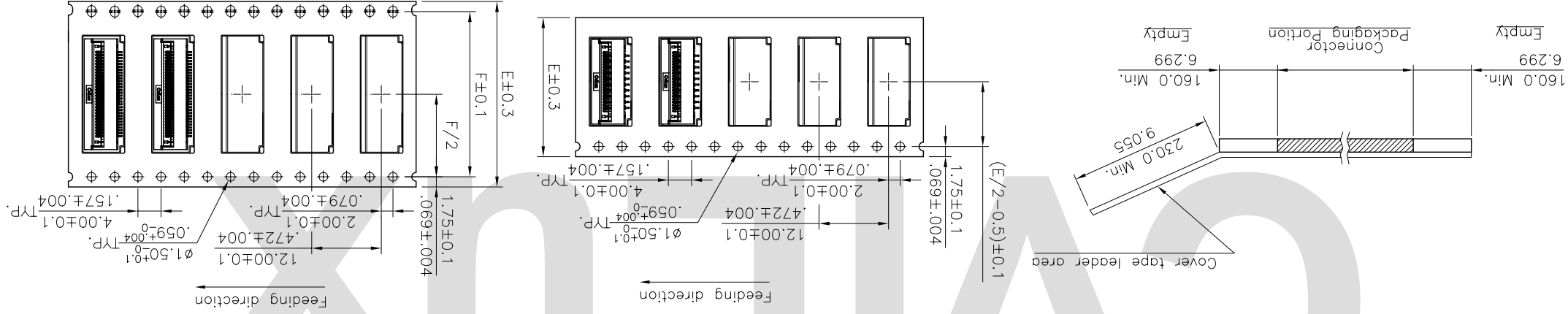


SYM	NAME	DATE	REVISIONS	APPROVED BY:	Alex	9/28-07'	.XX ±	.XX ±	FINISH:	DRAWING NO.	PART NO.	SCALE	SHEET	2	OF	2	
				CHECKED BY:	David	9/28-07'	.XX ±	.X ±									
SYM	NAME	DATE	REVISIONS	ENGINEER:	Eisley	9/28-07'	.X ±	.X ± !	MATERIAL:	DRAWING NO.	PART NO.	SCALE	SHEET	2	OF	2	
				DRAWN BY:	Sandy	9/22-07'	TOLERANCE UNLESS OTHERWISE SPECIFIED										
6	Sun	6/15-07	ECN07246			DATE	UNIT: mm / inch		TITLE: 0.50mm(.020") ZIF FFC/FPC	 Cvilux Corporation 瀚泰股份有限公司							

ROHS Compliant

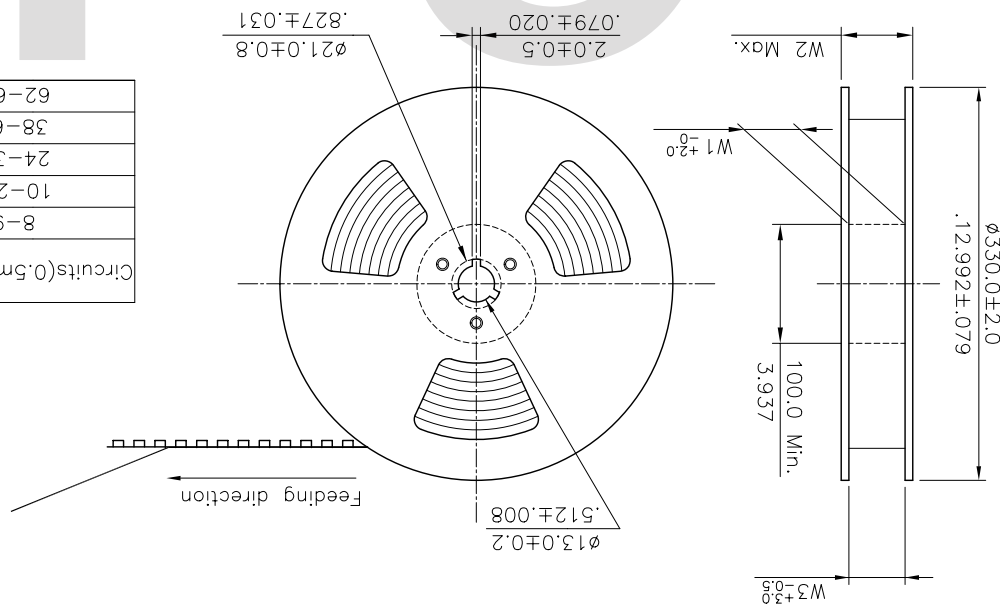
WIDTH : 16.24 mm Carrier

WIDTH : 32.44,56 mm Carrier



Circuits(0.5mm Pitch)	Dimension		
	E	F	W
62-65	56.0(2.204)	52.50(2.067)	56.5(2.224)
38-61	44.0(1.732)	40.40(1.596)	44.5(1.752)
24-37	32.0(1.260)	28.40(1.118)	32.5(1.280)
10-23	24.0(.945)	—	24.5(.965)
8-9	16.0(.630)	16.5(.650)	22.5(.885)
Packing	W3	W2	W3
	(Reel/Carton)		

- NOTES:
- 10 sprocket hole pitch cumulative tolerance ±0.20
 - Carrier camber is within 1 mm in 250 mm.
 - Material: Transparent Anti-static Polysyrene.
 - All dimensions meet EIA-481-2 requirements.
 - Thickness : 0.35±0.05mm.
 - Packing length per 22" Reel : 56 Meters.
 - Component load per 13" Reel : 2000 pcs.



X-ON Electronics

Largest Supplier of Electrical and Electronic Components

Click to view similar products for [FFC & FPC Connectors](#) category:

Click to view products by [Riverdi](#) manufacturer:

Other Similar products are found below :

[HFW11R-1STE1H1LF](#) [FH29B-100S-0.2SHW\(99\)](#) [FA5S008HP1](#) [FH29B-120S-0.2SHW\(99\)](#) [FH29B-80S-0.2SHW\(99\)](#) [FHS-16](#) [FPH-2022G](#)
[52610-1075](#) [52610-1275](#) [52610-1934](#) [XF3M\(1\)-1415-1B-R100](#) [501864-3091-TR225](#) [0525594033](#) [086210010340800](#) [086222026001800](#)
[52271-2869-CUT-TAPE](#) [62674-201121DLF](#) [62684-36210E9ALF](#) [52610-1675](#) [52746-1671-TR250](#) [10051922-2810EHLF](#) [6-520415-9](#)
[BD021-09A-A1-0350-0200-0550-LD](#) [SFV6R-1STE9HLF](#) [XF3M-2915-1B-R100](#) [1658549-1](#) [62674-221121ALF](#) [46214008010800](#)
[046298003000883](#) [151660622](#) [842-816-2630-035](#) [AYF530665TA](#) [AYF351525](#) [046296011930846+](#) [AYF352325A](#) [046254020000800+](#)
[FH19C-13S-0.5SH\(99\)](#) [FH39J-51S-0.3SHW\(99\)](#) [AYF355125A](#) [AYF530365TA](#) [FH29B-44S-0.2SHW\(99\)](#) [SFW5R-2STAE9LF](#) [AYF351125A](#)
[AYF350725A](#) [62684-502100AHLF](#) [FH39-61S-0.3SHW\(99\)](#) [AYF414035A](#) [10064555-172520HLF](#) [AYF212335A](#) [504754-2500](#)