



M83723/82

FLANGE MOUNT RECEPTACLE: SOCKET
 CLASSES A, G, K, N, R, S, W IAW MIL-C-83723
 SEE PAGE 16 FOR ORDERING INFORMATION

M83723/83

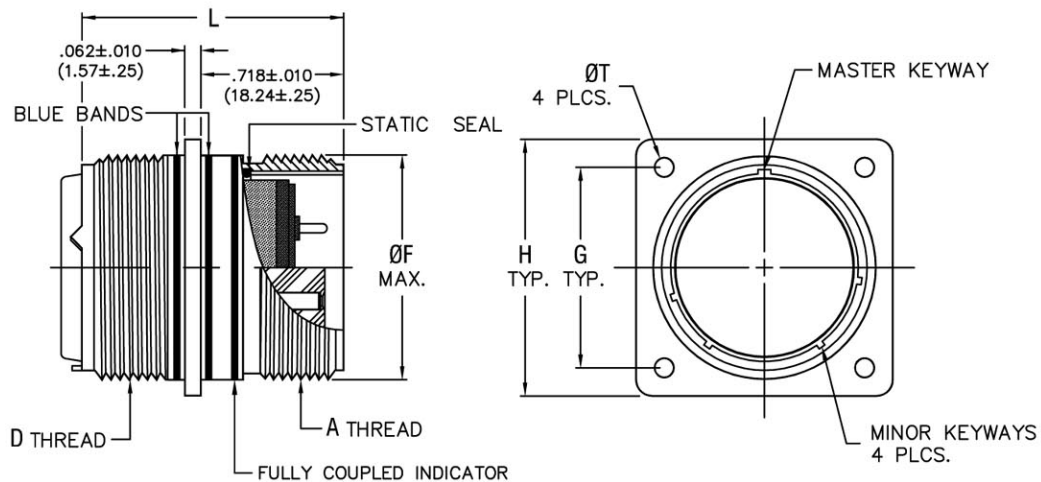
FLANGE MOUNT RECEPTACLE: PIN
 CLASSES A, G, K, N, R, W, S IAW MIL-C-83723
 SEE PAGE 16 FOR ORDERING INFORMATION

DC54

FLANGE MOUNT RECEPTACLE: SOCKET
 CLASSES - (DASH), J, S, W IAW BAN 7025
 SEE PAGE 17 FOR ORDERING INFORMATION

DC55

FLANGE MOUNT RECEPTACLE: PIN
 CLASSES - (DASH), J, S, W IAW BAN 7025
 SEE PAGE 17 FOR ORDERING INFORMATION



- DIMENSIONS ARE IN INCHES. DIMENSIONS IN PARENTHESIS ARE IN MILLIMETERS.
- JT83723 CLASS "S" FIREWALL CONNECTOR HAS 360° CIRCUMFERENTIAL REAR ACCESSORY TEETH. ALL OTHER FLANGE MOUNT RECEPTACLES ARE TO HAVE 3 REAR ACCESSORY TEETH AS SHOWN.

SHELL SIZE	A THREAD CLASS 2A	D THREAD CLASS 2A	ØF MAX.	G TYP.	H TYP.	ØT +.005 - .004	L MAX.	
							ALL OTHERS	83723/82 /83 CLASS S
8	.562-24 UNEF	.500-20 UNEF	.562 (14.27)	.594 (15.09)	.812 (20.62)	.120 (3.05)	1.248 (31.70)	1.340 (34.04)
10	.688-24 UNEF	.625-24 UNEF	.696 (17.68)	.719 (18.26)	.937 (23.80)	.120 (3.05)	1.248 (31.70)	1.340 (34.04)
12	.875-20 UNEF	.750-20 UNEF	.875 (22.23)	.812 (20.62)	1.031 (26.19)	.120 (3.05)	1.248 (31.70)	1.340 (34.04)
14	.938-20 UNEF	.875-20 UNEF	.936 (23.77)	.906 (23.01)	1.125 (28.58)	.120 (3.05)	1.248 (31.70)	1.340 (34.04)
16	1.062-18 UNEF	1.000-20 UNEF	1.062 (26.97)	.969 (24.61)	1.250 (31.75)	.120 (3.05)	1.248 (31.70)	1.340 (34.04)
18	1.188-18 UNEF	1.062-18 UNEF	1.187 (30.15)	1.062 (26.97)	1.343 (34.11)	.120 (3.05)	1.248 (31.70)	1.340 (34.04)
20	1.312-18 UNEF	1.188-18 UNEF	1.312 (33.32)	1.156 (29.36)	1.437 (36.50)	.120 (3.05)	1.248 (31.70)	1.340 (34.04)
22	1.438-18 UNEF	1.312-18 UNEF	1.437 (36.50)	1.250 (31.75)	1.562 (39.67)	.120 (3.05)	1.248 (31.70)	1.340 (34.04)
24	1.562-18 UNEF	1.438-18 UNEF	1.562 (39.67)	1.375 (34.93)	1.703 (43.26)	.149 (3.78)	1.248 (31.70)	1.340 (34.04)

X-ON Electronics

Largest Supplier of Electrical and Electronic Components

Click to view similar products for [conesys](#) manufacturer:

Other Similar products are found below :

[D38999/20ZJ35SN](#) [MS3471W14-4S-LC](#) [MS3471W14-18PZ](#) [M83723/83G1407N](#) [D38999/20WC35PN](#) [D38999/20WF35PA](#)

[D38999/20WJ4PN](#) [D38999/24WG16PN](#) [D38999/26WF35SN](#) [MS27656T11B35P](#) [MS3474L18-11S](#) [MS3474W10-6P](#) [MS3475W22-55S](#)

[D38999/20FE35SN](#) [D38999/20WE8SA](#) [D38999/24FD97SN](#) [D38999/26WC4SN](#) [MS27508E10B35P](#) [MS3452W32-17S](#) [MS3454LS40-56P](#)

[MS3456KT14S-7S](#) [MS3456W12-5S](#) [D38999/26FD97SN](#) [MS27508E10F35P](#) [D38999/26WF11SN](#) [D38999/24WD35PA](#) [D38999/26WC4SB](#)

[D38999/26WD5SC](#) [D38999/20FC4SA](#) [D38999/20FB4SN](#) [MS3472W16-8PW](#) [MS3450KS28-21S](#) [MS27505E11B35P](#) [MS3474L16-8PW](#)

[MS27484T10B99SA](#) [MS3472W16-8P](#) [MS27473T12F98S](#) [MS3470W16-8P](#) [D38999/20WF32PA](#) [D38999/20FG39SB](#) [D38999/26WE99SB](#)

[MS3456LS28-21S](#) [D38999/26WE99SA](#) [D38999/24WD97SA](#) [MS3456W28-21SW](#) [D38999/26WB4SB](#) [D38999/20FJ4SB](#) [MS27468T11B4SB](#)

[MS27473T16B35P](#) [D38999/26FB4SN](#)