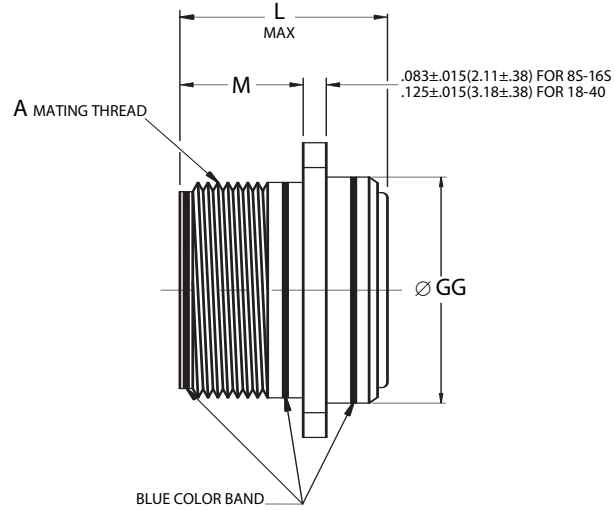
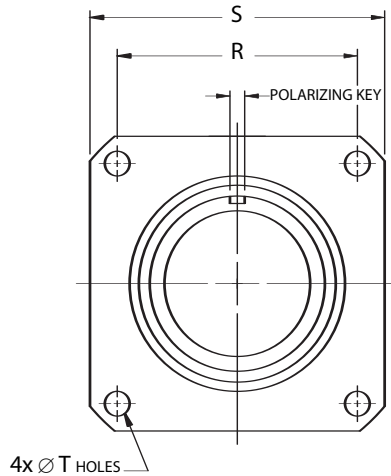




Threaded Coupling, Crimp Removable, Rear Release



Page 48	Completed Part Number
Page 56	Contacts, Sealing Plugs and Tools
Pages 63–68	Insert Arrangements
Page 47	Performance Specifications
Pages 58–62	Insert Availability and Contact Information
Page 58	Polarization

- Note 1:** The insulation material shall be above, flush with, or no more than .015 inches (.38 mm) below the metal shell.
- Note 2:** At time of catalog printing, MS3452 was not superseded by SAE document - AS34521.

MIL-DTL-5015 S III

Shell Size	A	Ø GG		L MAX		M		R		S		Ø T			
	Mating Thread Class 2A	±.016	±.41	16 & 12 Contacts		8, 4 & 0 Contacts		(TP)		±.031 ±.79		+.010 +.25 -.005 -.13			
		inch	mm	inch	mm	inch	mm	inch	mm	inch	mm	inch	mm		
8S	1/2-28 UNEF	.500	12.70	1.662	42.21	-	-	.562	14.27	.594	15.09	.875	22.23	.120	3.05
10S	5/8-24 UNEF	.625	15.88	1.662	42.21	-	-	.562	14.27	.719	18.26	1.000	25.40	.120	3.05
10SL	5/8-24 UNEF	.625	15.88	1.662	42.21	-	-	.562	14.27	.719	18.26	1.000	25.40	.120	3.05
12	3/4-20 UNEF	.750	19.05	1.662	42.21	-	-	.750	19.05	.812	20.62	1.094	27.79	.120	3.05
12S	3/4-20 UNEF	.750	19.05	1.662	42.21	-	-	.562	14.27	.812	20.62	1.094	27.79	.120	3.05
14	7/8-20 UNEF	.875	22.23	1.662	42.21	-	-	.750	19.05	.906	23.01	1.188	30.18	.120	3.05
14S	7/8-20 UNEF	.875	22.23	1.662	42.21	-	-	.562	14.27	.906	23.01	1.188	30.18	.120	3.05
16	1-20 UNEF	1.000	25.40	1.662	42.21	1.937	49.20	.750	19.05	.969	24.61	1.281	32.54	.120	3.05
16S	1-20 UNEF	1.000	25.40	1.662	42.21	-	-	.562	14.27	.969	24.61	1.281	32.54	.120	3.05
18	1 1/8-18 UNEF	1.062	26.97	1.662	42.21	1.937	49.20	.750	19.05	1.062	26.97	1.375	34.93	.120	3.05
20	1 1/4-18 UNEF	1.187	30.15	1.662	42.21	1.937	49.20	.750	19.05	1.156	29.36	1.500	38.10	.120	3.05
22	1 3/8-18 UNEF	1.312	33.32	1.662	42.21	1.937	49.20	.750	19.05	1.250	31.75	1.625	41.28	.120	3.05
24	1 1/2-18 UNEF	1.437	36.50	1.662	42.21	1.937	49.20	.812	20.62	1.375	34.93	1.750	44.45	.147	3.73
28	1 3/4-18 UNS	1.750	44.45	1.662	42.21	1.937	49.20	.812	20.62	1.562	39.67	2.000	50.80	.147	3.73
32	2-18 UNS	2.000	50.80	1.662	42.21	1.937	49.20	.875	22.23	1.750	44.45	2.250	57.15	.173	4.39
36	2 1/4-16 UN	2.250	57.15	1.662	42.21	1.937	49.20	.875	22.23	1.938	49.23	2.500	63.50	.173	4.39
40	2 1/2-16 UN	2.500	63.50	1.662	42.21	1.937	49.20	.875	22.23	2.188	55.58	2.750	69.85	.173	4.39

X-ON Electronics

Largest Supplier of Electrical and Electronic Components

Click to view similar products for [conesys](#) manufacturer:

Other Similar products are found below :

[MS3471W14-4S-LC](#) [MS3471W14-18PZ](#) [M83723/82W2041N](#) [M83723/83G1407N](#) [M83723/85W2041N](#) [D38999/20WC35PN](#)
[D38999/20WF35PA](#) [D38999/20WJ4PN](#) [D38999/24WG16PN](#) [D38999/26FE35PB](#) [D38999/26WF35SN](#) [MS27656T11B35P](#) [MS3452W22-23SY](#) [MS3452W32-6S](#) [MS3474L18-11S](#) [MS3474W10-6P](#) [MS3475W22-55S](#) [M83723/76W18-8N](#) [D38999/20WE8SA](#) [D38999/24FD97SN](#)
[D38999/24WD97SN](#) [D38999/26WC4SN](#) [MS27508E10B35P](#) [MS3452W32-17S](#) [MS3456KT14S-7S](#) [MS3456W12-5S](#) [D38999/26FD97SN](#)
[MS27508E10F35P](#) [D38999/24WC4SN](#) [D38999/26WF11SN](#) [D38999/24WD35PA](#) [D38999/26WC4SB](#) [D38999/26WD5SC](#) [D38999/20FC4SA](#)
[D38999/20FB4SN](#) [MS3450LS22-22P](#) [MS3472W16-8PW](#) [MS3476W16-8P](#) [M83723/87K2041N](#) [MS3450KS28-21S](#) [MS27505E11B35P](#)
[MS3456L28-21S](#) [MS3474L16-8PW](#) [MS27484T10B99SA](#) [MS3452L32-6S](#) [MS3472W16-8P](#) [MS27473T12F98S](#) [D38999/24WG39SA](#)
[MS3470W16-8P](#) [D38999/20WF32PA](#)