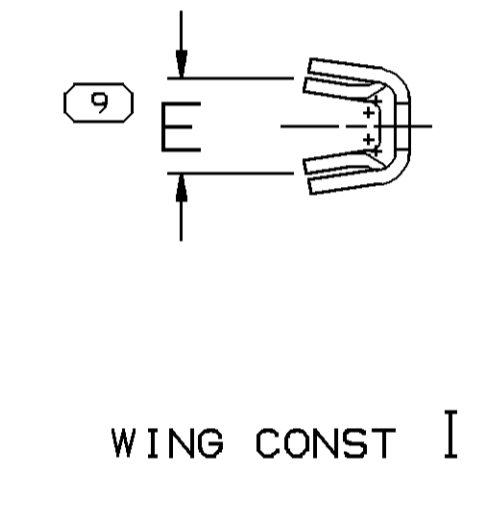
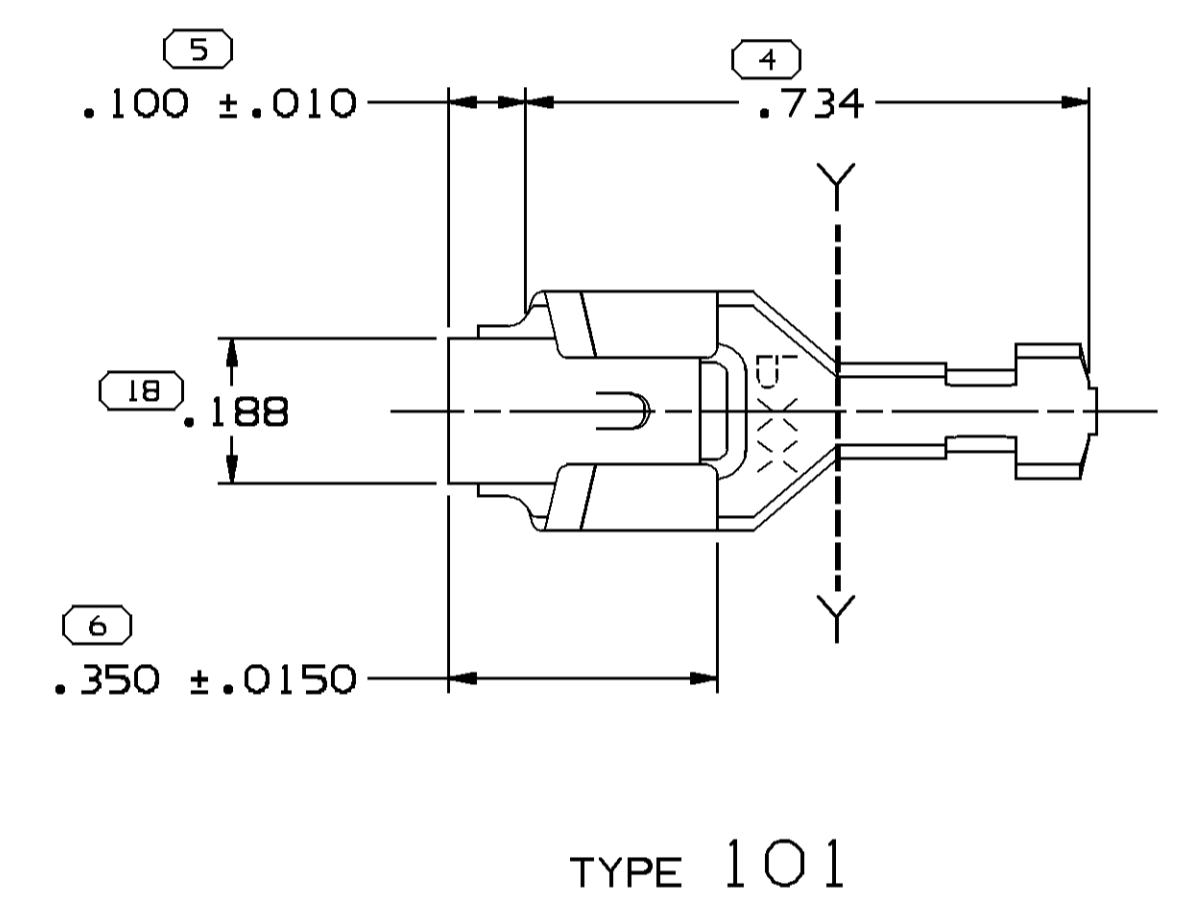
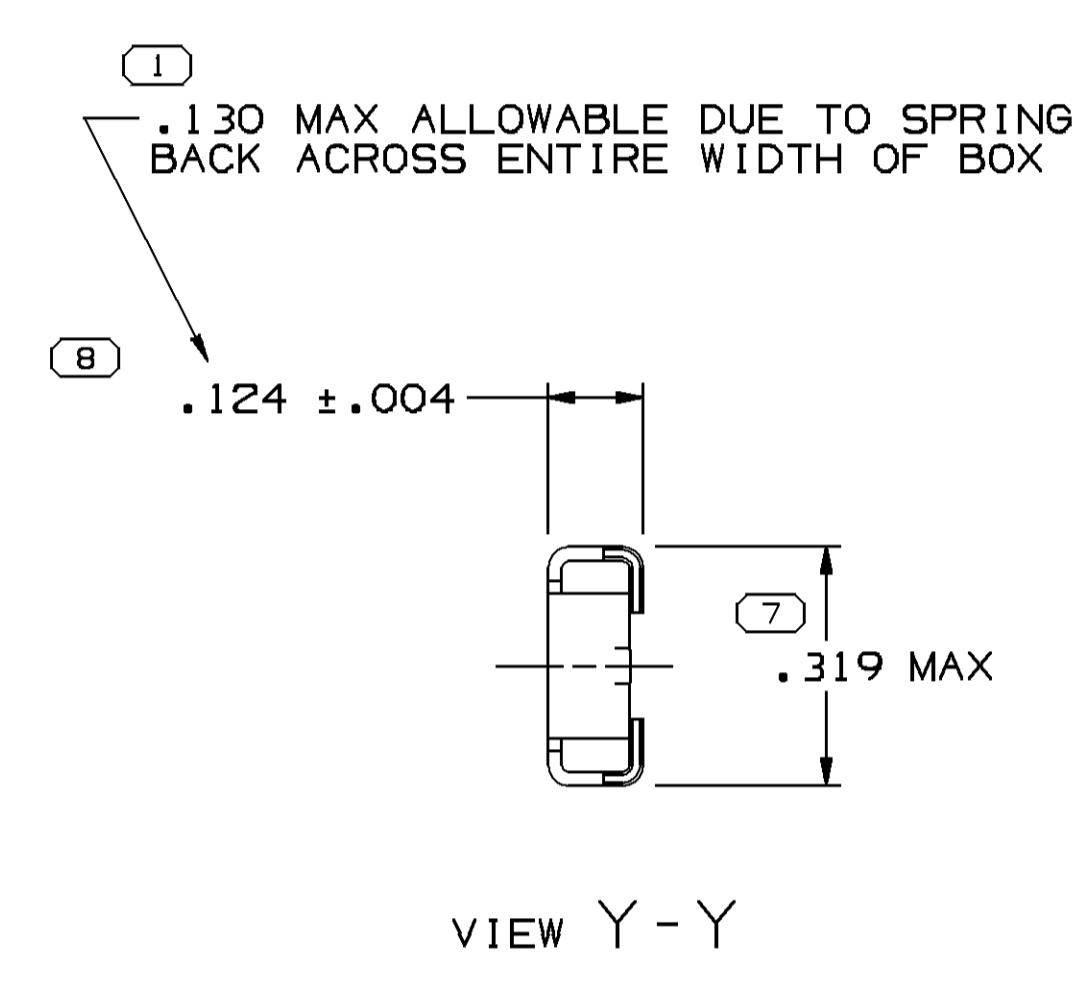
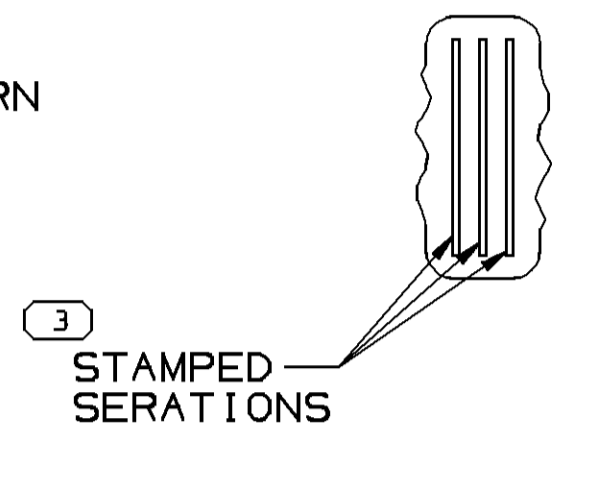
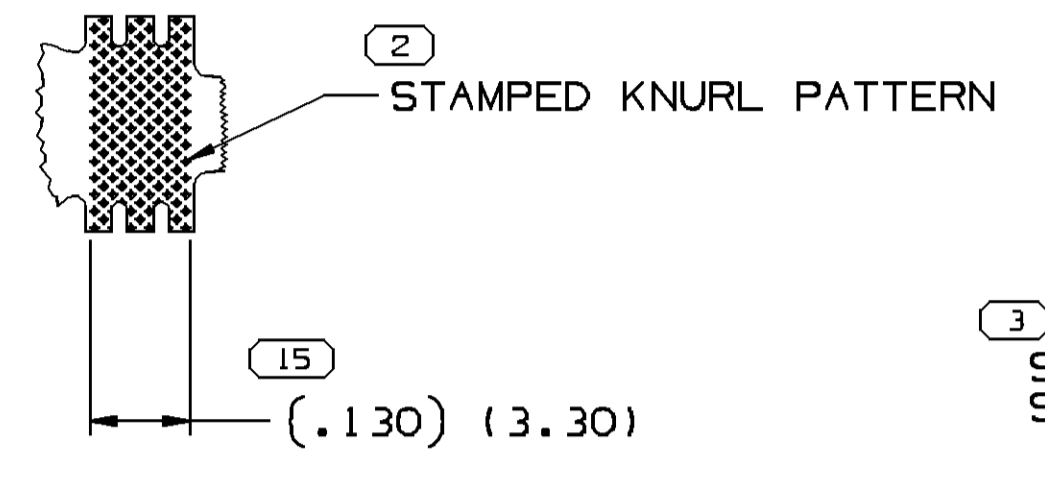


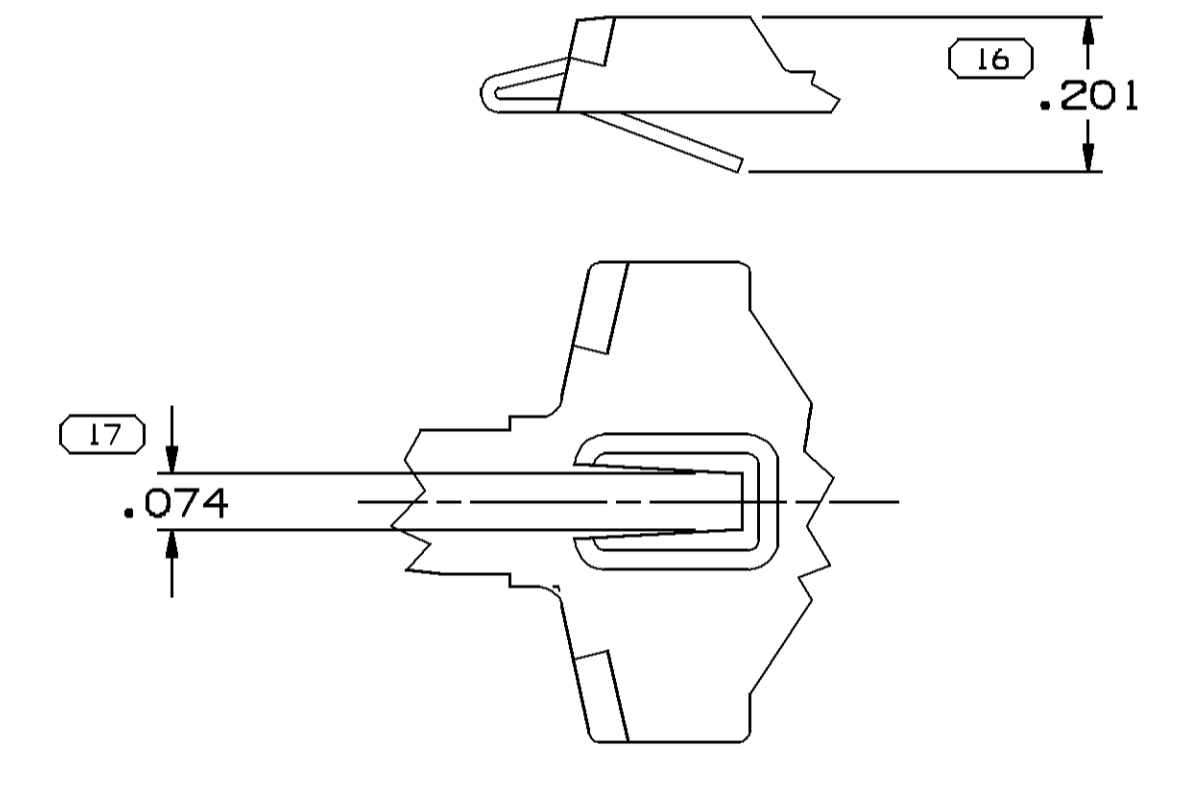
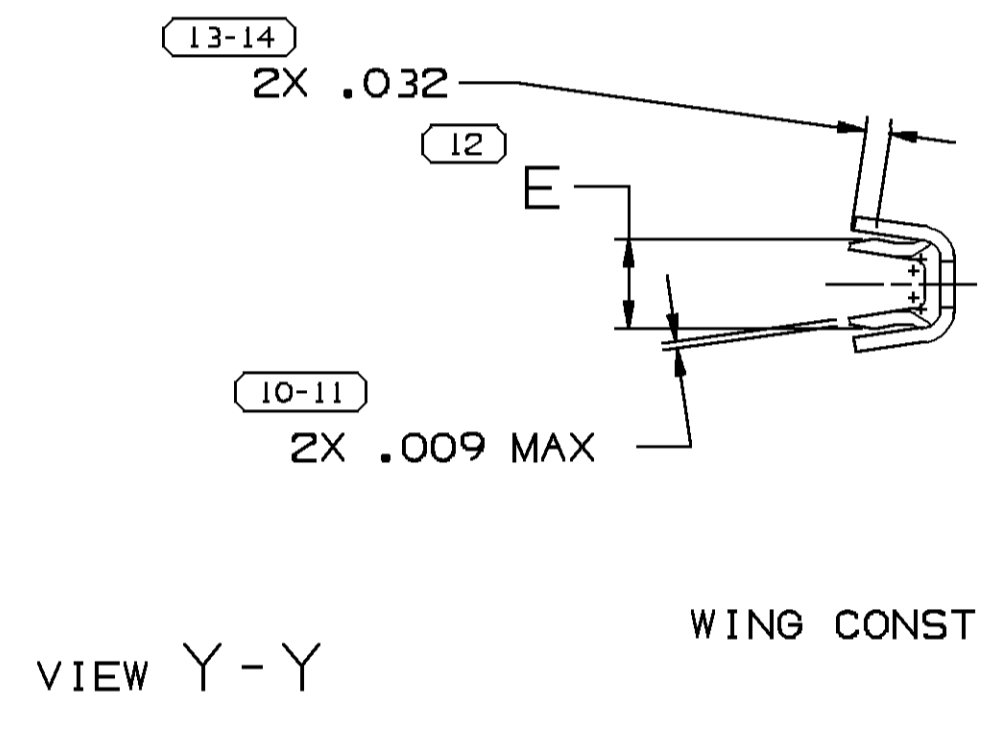
SYMBOL DEFINITION		MISSING NUMBERS		DWG STATUS		ZONE		REVISION HISTORY		AUTH	DR	AP/D	AP/D
THE NUMBER INSIDE THE SYMBOL	TOTAL NO. OF SYMBOLS ON DRAWING			DATE	STO	REV	N/P	CHG					
(1)	16			22DE99	R	01	-	-	ALL PARTS - UPDATED PDM ATTRIBUTES AND REDRAW TO PD		198110	RB	GMC JA
(15)	18			26-JUN08	R	02	-	-	12124501-04, 12124507 & 12124508 OBSOLETE AND ADDED "REPLACED BY" COLUMN TO CHART		405119	EPS	FRG/RAP



TYPE 102
SAME AS TYPE 101
EXCEPT AS SHOWN



TYPE 103
SAME AS TYPE 101
EXCEPT AS SHOWN



- NOTES
- UNLESS OTHERWISE SPECIFIED AND/OR INDICATED:
DIMENSIONS ARE TO FACE OF VIEW SHOWN AND AUTOMATICALLY ROUNDED BY COMPUTER FOR INSPECTION (SEE MATH MODEL FOR PRECISE DIMENSIONS). FOR ALL OTHER DIMENSIONS NOT SHOWN BUT REQUIRED FOR TOOL BUILD, SEE MATH MODEL FOR PRECISE TOOL PATH DATA.
 - THIS TERMINAL FOR MOLD-ON APPLICATIONS ONLY.
 - TO FIT .032 X .250 BLADE.

PART NO	REV/N/P	STATUS	MAT'L SIZE	MAT'L SPEC	PART NO	REV/N/P	STATUS	MAT'L SPEC	NIB	TANG	FOOT	SIZE MM ²	DIA	ID	TYPE	WING CONST	E	REPLACED BY
			.0180 X 1.375		12124988	B	OBSOLETE	M1573222	X	X	X	0.8-0.5	2.4-2.03	19	102	I	.148	
			.0180 X 1.375		12124525	C	OBSOLETE	M1573222	X	X	X	0.8-0.5	2.4-2.03	19	103	I	.148	12186338
12124510	C	OBSOLETE	.0180 X 1.375	M1403222	12124524	C	OBSOLETE	M1573222	X	X	X	0.8-0.5	3.13-2.69	19	103	I	.148	
12124509	B	OBSOLETE	.0180 X 1.375	M1403222	12124523	B4		M1573222	X	X	X	(2) 2 - 1	3.05-2.48	215	101	I	.260	
12124508	B2	OBSOLETE	.0180 X 1.375	M1403222	12124522	B5		M1573222	X	X	X	(2) 2 - 1	3.05-2.48	215	101	I	.260	12124522
12124507	B6	OBSOLETE	.0180 X 1.375	M1403222	12124521	B	OBSOLETE	M1573222	X	X	X	(2) 0.8-0.5	2.4-2.03	219	101	II	.162	
			.0180 X 1.375		12124520	B5		M1573222	X	X	X	(2) 0.8-0.5	2.4-2.03	219	101	II	.162	12124520
12124504	B5	OBSOLETE	.0180 X 1.375	M1403222	12124517	B4		M1573222	X	X	X	2 - 1	3.05-2.48	15	101	I	.164	12124517
12124503	B5	OBSOLETE	.0180 X 1.375	M1403222	12124516	B	OBSOLETE	M1573222	X	X	X	2 - 1	3.05-2.48	15	101	I	.164	
			.0180 X 1.375		12124514	C	OBSOLETE	M1573222	X	X	X	0.8-0.5	2.4-2.03	19	103	I	.148	12124515
12124502	C3	OBSOLETE	.0180 X 1.375	M1403222	12124513	C2		M1573222	X	X	X	0.8-0.5	2.4-2.03	19	103	I	.148	12124513
12124501	C3	OBSOLETE	.0180 X 1.375	M1403222	12124512	C2		M1573222	X	X	X	0.8-0.5	2.4-2.03	19	103	I	.148	12124512

DELPHI
DELPHI PACKARD ELECTRICAL/ELECTRONIC ARCHITECTURE
NAPER, OH

DATE: 03JL98
07JL98
15JL98

DRAWING NAME: TAXI TERM F 56 SERIES
DRAWING NUMBER: 12124500

SCALE: 4:1
SHEET NO: 1 OF 1
REV: R 02

UNLESS OTHERWISE SPECIFIED:
PERFECT FORM REQUIRED FOR FEATURES OF SIZE AT MIC.
TOLERANCES UNLESS OTHERWISE SPECIFIED:
DIMENSIONS ENCLOSED IN () INDICATE REFERENCE DIMENSIONS AND NO TOLERANCE LIMITS ARE ESTABLISHED.

(15) PROCESS SENSITIVE DIMENSION

THIRD ANGLE PROJECTION
DO NOT SCALE
USE MATH DATA