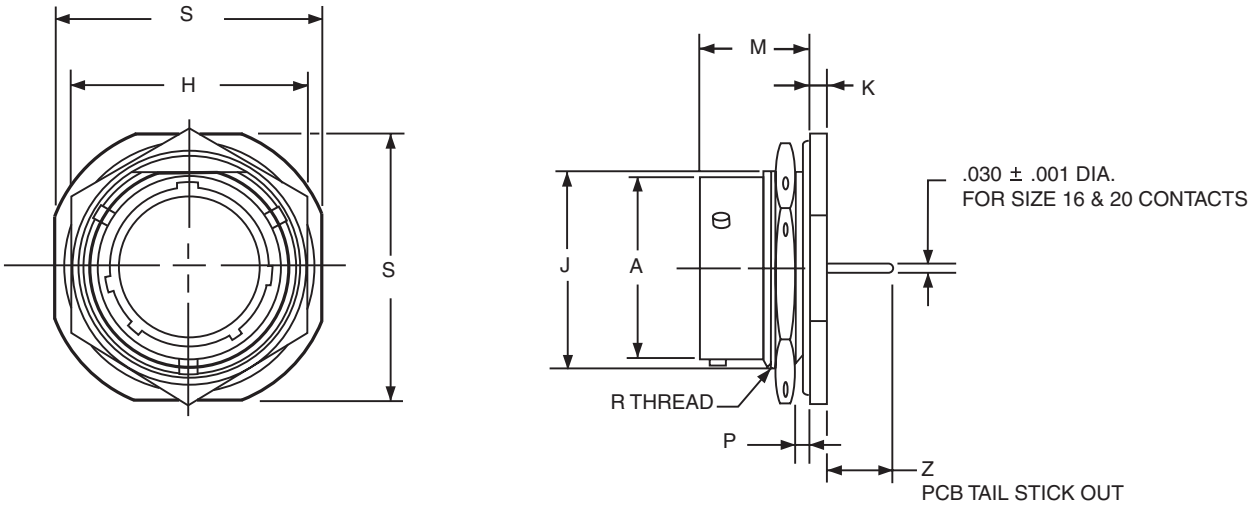


# MIL-C-26482 Series 1 Type Connectors with PCB contacts PT07 jam nut receptacle



## HOW TO ORDER

- Order by applicable 71 part number in table below.  
71 prefix designates olive drab cadmium plated connector shell.  
(For availability of other finishes consult Amphenol, Sidney, NY)
- Add insert arrangement to end of number. Refer to insert availability chart on page 4 and pin-out illustrations on pages 5-24. Last letter of part number designates rotation; P for pins in normal position, S for sockets in normal position. See page 26 for alternate rotation letter to use.  
Example part number: 71-533721-98P designates shell size 8 with a 8-98 insert and pin contacts in normal position.
- Z dimension is determined by contact type in the insert arrangement.
- Most common options are shown; other options are available.

All lockwire holes are .044 dia. min.

Shell Size	Part Number	A Dia. +.001 -.005	H +.017 -.016	J Flat +.000 -.010	K +.011 -.010	M ±.010	P Panel Thickness		R Thread Class 2A	S ±.010	Z +.025 -.035
							Min.	Max.			Size 16 & 20 Contacts
6	71-533720-XXX	.348	.625	.405	.125	.696	.062	.125	.4375-28 UNEF	.812	.376
8	71-533721-XXX	.473	.750	.530	.125	.696	.062	.125	.5625-24 UNEF	.938	.376
10	71-533722-XXX	.590	.875	.655	.125	.696	.062	.125	.6875-24 UNEF	1.062	.376
12	71-533723-XXX	.750	1.062	.818	.125	.696	.062	.125	.8750-20 UNEF	1.250	.376
14	71-533724-XXX	.875	1.188	.942	.125	.696	.062	.125	1.0000-20 UNEF	1.375	.376
16	71-533725-XXX	1.000	1.312	1.066	.125	.696	.062	.125	1.1250-18 UNEF	1.500	.376
18	71-533726-XXX	1.125	1.438	1.191	.125	.696	.062	.125	1.2500-18 UNEF	1.625	.376
20	71-533727-XXX	1.250	1.562	1.316	.156	.884	.062	.250	1.3750-18 UNEF	1.812	.367
22	71-533728-XXX	1.375	1.688	1.441	.156	.884	.062	.250	1.5000-18 UNEF	1.938	.367
24	71-533729-XXX	1.500	1.816	1.566	.156	.917	.062	.250	1.6250-18 UNEF	2.062	.334

All dimensions for reference only.

## X-ON Electronics

Largest Supplier of Electrical and Electronic Components

*Click to view similar products for [amphenol manufacturer](#):*

Other Similar products are found below :

[MS27473P14B18S](#) [GTS02R20-15P-025-116](#) [GTC030-40-68SZ-025-RDS-LC](#) [ACC02E28-51S-003-B30-LC](#) [TV06RL-13-35AD](#) [TV06RL-13-98BD](#) [TV06RL-13-35SD-LC](#) [TV06RL-13-35SD](#) [TV06RL-13-98SD-LC](#) [TV06RL-13-98SD](#) [TVP00RW-23-53AD](#) [100-007-213-002-001](#) [TV06RW-25-90AE](#) [97-3108B16S-5PW-417](#) [PT06J20-24SW](#) [97-3108B16S-4PY-417](#) [97-3108B16S-4PX-417](#) [97-3108B16S-5PY-417](#) [97-3108B16S-4PW-417](#) [CS-DSDMDB37MF-025](#) [97-3108B16S-5PZ-417](#) [TV06RW-25-46AE](#) [TVS07RF-21-16AA](#) [TVS07RF-21-39BA](#) [CF-5A9013-04N](#) [CF-6A4615-06N](#) [GTC02R32-17S-025-RDS](#) [GTC02R32-17S-025-RDS-LC](#) [GTC02R32-17S-025-LC](#) [PT06SE-24-61P\(LC\)](#) [GTC06-22-13SW](#) [GTC06-22-13SY](#) [GTS06G-36-10S](#) [GTC06-22-13S-025-B30-LC](#) [GTC06-22-13SW-025-LC](#) [GTC06-22-13SX-025-B30](#) [GTC06-22-13SZ-025](#) [GTC06-22-13SZ-025-LC](#) [GTC06-22-13S-025-LC](#) [GTC06-22-13SW-025-B30](#) [GTC06-22-13SW-025-B30-LC](#) [GTC06-22-13SX-025-B30-LC](#) [GTC06-22-13SX-025-LC](#) [GTC06-22-13SY-025-B30](#) [GTC06-22-13SY-025-B30-LC](#) [GTC06-22-13SY-025-LC](#) [GTC06-22-13SZ-025-B30](#) [GTC06-22-13SZ-025-B30-LC](#) [GTC06-22-13SW-025](#) [GTC06-22-13SX-025](#)