

REV. A	SHEET 1 OF 1	DOCUMENT NO. 10-565997-702
REVISIONS		
LTR	DESCRIPTION	DATE
A	INITIAL RELEASE	

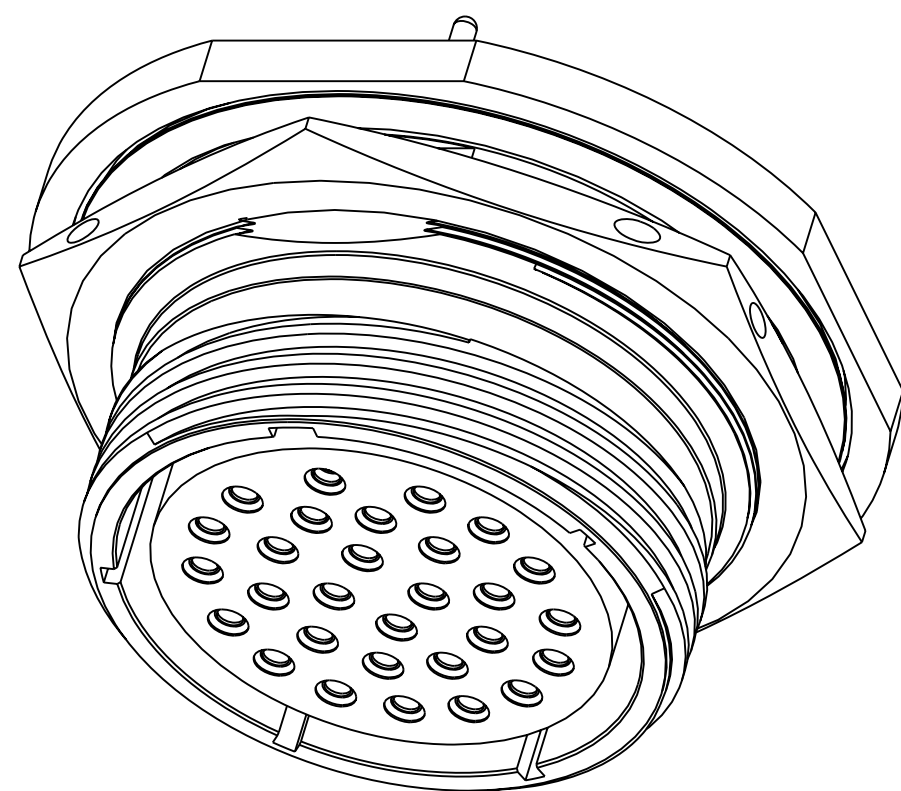
KIT PART NUMBER	CONNECTOR PART NUMBER	KIT TYPE	PCB PART NUMBER	QTY.	MS REF NUMBER	CAP/CONTAINER
10-565997-702N	88-565759-29S	II	10-497649-035	29	D38999/24WJ29BN	10-576238-002 10-576237-002
10-565997-702A	88-565759-29H				D38999/24WJ29BA	
10-565997-702B	88-565759-29J				D38999/24WJ29BB	
10-565997-702C	88-565759-29L				D38999/24WJ29BC	
10-565997-702D	88-565759-29N				D38999/24WJ29BD	
10-565997-702E	88-565759-29T				D38999/24WJ29BE	

FOR UNIT ILLUSTRATION AND DIMENSIONAL DATA  
SEE 10-536197-DS TYPE I

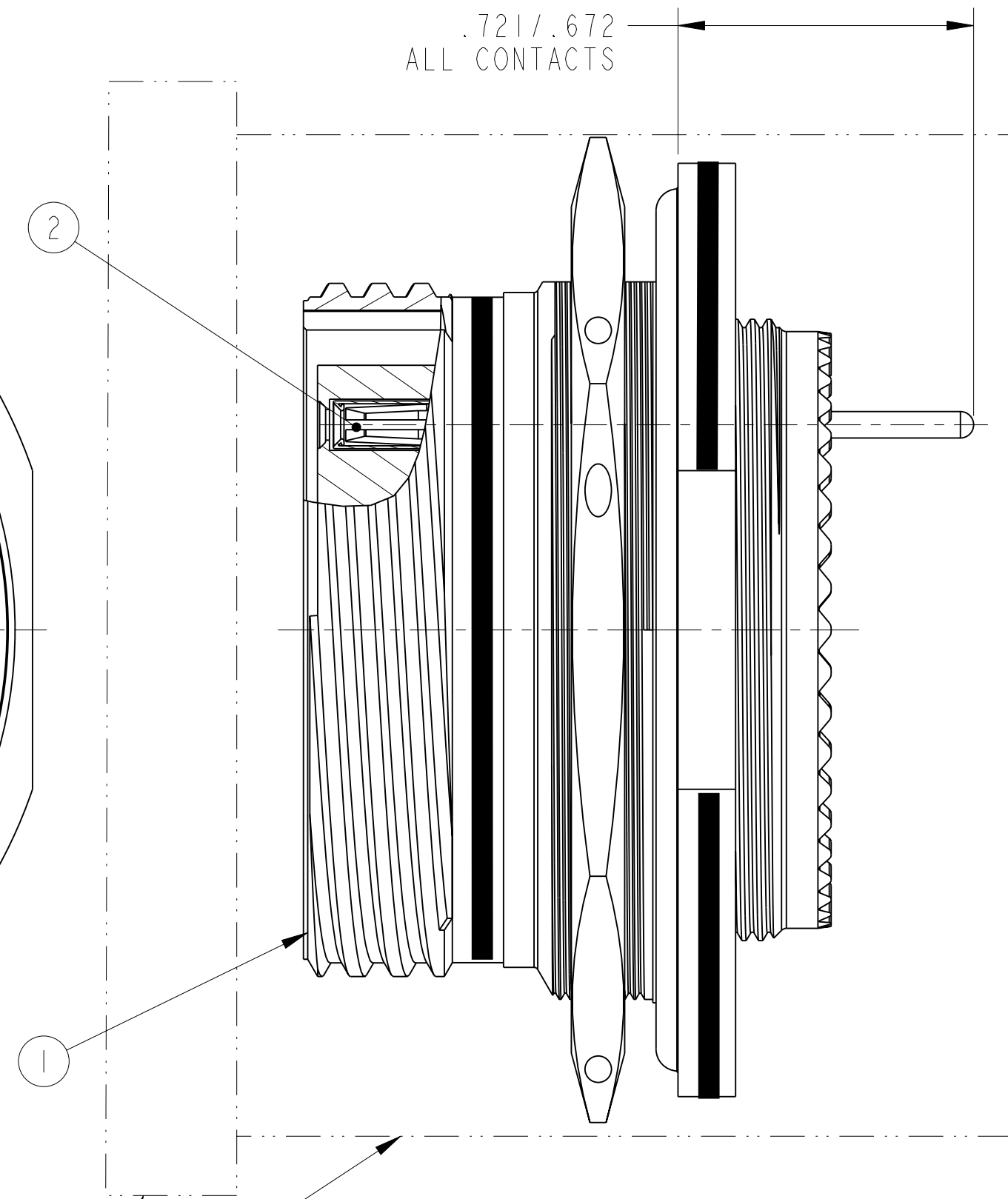
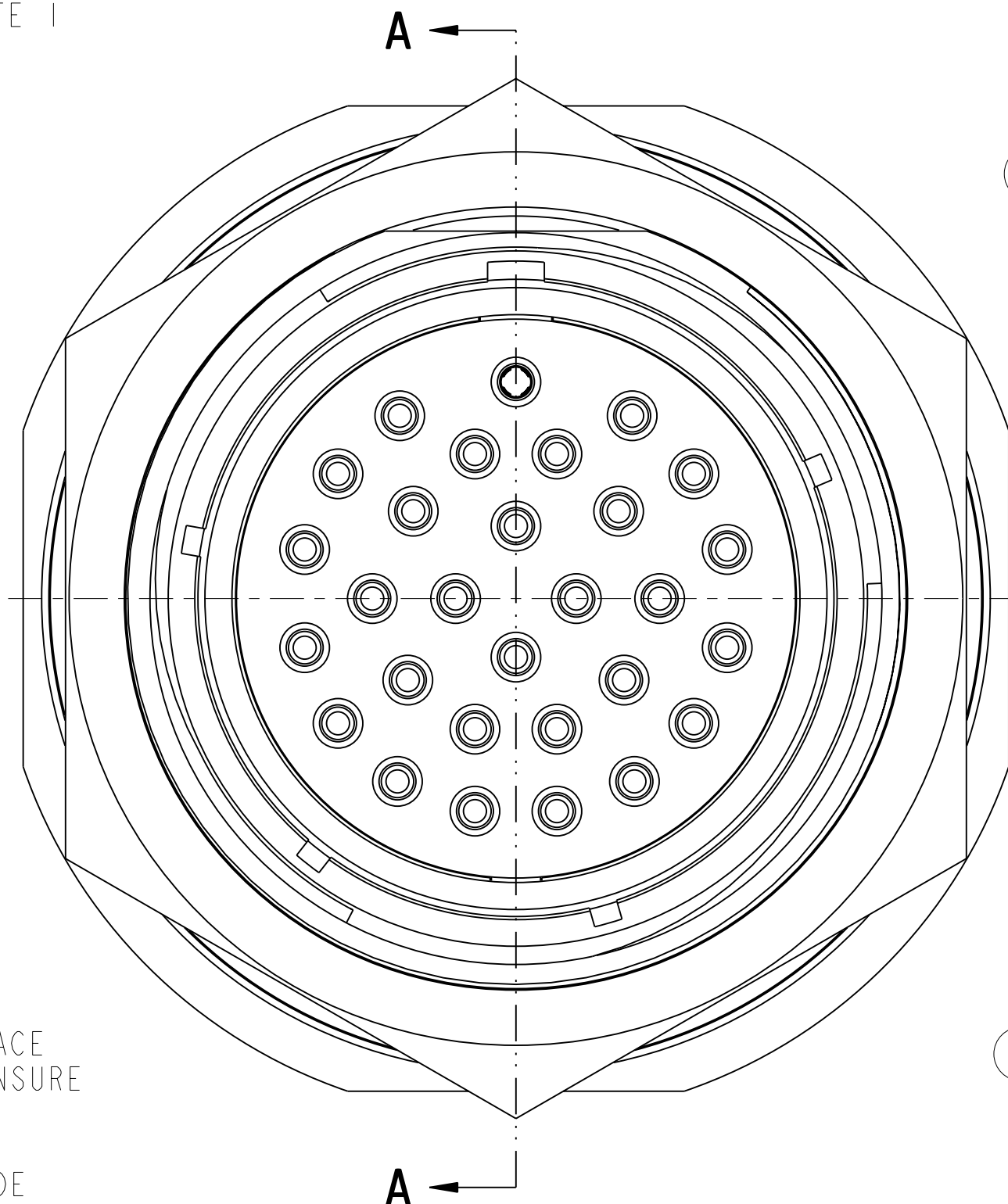
ALTERNATE SHELL ROTATION

SEE NOTE 1

CONNECTOR LESS STAMPING  
SEE NOTE 4  
FOR STAMPING REQUIREMENT



SCALE 2



.721/.672  
ALL CONTACTS

SECTION A-A

CAP/CONTAINER



5. AFTER CONTACTS HAVE BEEN INSTALLED, PLACE CONNECTOR INTO CONTAINER AND CAP. TO INSURE CAP LOCATION APPLY TAPE IF NEEDED.
4. STAMP "AMPHENOL", PART NUMBER, DATE CODE (9-3895), AND LOT NUMBER PER 9-5788  
EXAMPLE:  
AMPHENOL 10-565997-702B 0637 001000
3. PROCESS SPEC:  
PROCESS SHEET CONTROL 9-4796  
SPECIAL CONTROL 9-6000-2
2. PACKAGE PER PRODUCTION PROCESS SHEET.
1. KIT TYPE I CONTACTS SHIPPED UNASSEMBLED.  
KIT TYPE II CONTACTS SHIPPED ASSEMBLED IN CONNECTOR.

NOTES:

THE USE OF THIS DOCUMENT IS UNLIMITED. HOWEVER, DOCUMENTS REFERENCED HEREON MAY CONTAIN LIMITED RIGHTS DATA.

N/A	PRO/ENGINEER INFORMATION
N/A	Pro/e Model Used: 10-565997-688.ASSEM
N/A	Drawing Name: 10-565997-702
N/A	NEXT ASSEMBLY

UNLESS OTHERWISE SPECIFIED  
SPECIFICATIONS  
MATERIAL SPEC.  
N/A  
PROCESS SPEC.  
SEE NOTES 3, 4

LINEAR DIMENSIONS ARE IN INCHES  
TOLERANCES:  
.XXXX = ±.0005 ANGLES= ±2°  
.XXX = ±.010  
.XX = ±.03  
.X = ±.1

DIM. & TOL. PER ASME Y14.5M;  
DRM PER MIL-DTL-31000;  
OTHER Amphenol Sds. PER 9-3800

LEGENDS:  
= FLAG NOTE CALL OUT  
REFERENCE ONLY

2	SEE COLUMN	CONTACT	
1	SEE COLUMN	CONNECTOR	
POS	QTY	PART NUMBER	DESCRIPTION
			NOTE
PARTS LIST			
<p>APPROVALS</p> <p>PREPARED BY: D. ALGER</p> <p>ENGINEER IN CHARGE: D. FREAR</p> <p>DESIGN MANAGER: E. SHEPLER</p> <p>DESIGN ACTIVITY GROUP: MILAERO</p> <p>DATE: 21-OCT-06</p>			
<p>AMPHENOL CORPORATION</p> <p>40-60 DELAWARE AVENUE SIDNEY, N.Y. 13839</p>			
<p>KIT, CONNECTOR, TYPE MS TV-AB STAMPED, D38999/24WJ29B()</p>			
SIZE	CAGE CODE	DOCUMENT NO.	REV.
C	77820	10-565997-702	A
SCALE: 3.0		REF: 88-565750/759	SHEET 1 OF 1

RELEASED / Oct. 31 2006, 08:27 AM

## X-ON Electronics

Largest Supplier of Electrical and Electronic Components

*Click to view similar products for [amphenol manufacturer](#):*

Other Similar products are found below :

[MS27473P14B18S](#) [GTS02R20-15P-025-116](#) [GTC030-40-68SZ-025-RDS-LC](#) [ACC02E28-51S-003-B30-LC](#) [TV06RL-13-35AD](#) [TV06RL-13-98BD](#) [TV06RL-13-35SD-LC](#) [TV06RL-13-35SD](#) [TV06RL-13-98SD-LC](#) [TV06RL-13-98SD](#) [TVP00RW-23-53AD](#) [100-007-213-002-001](#) [TV06RW-25-90AE](#) [97-3108B16S-5PW-417](#) [PT06J20-24SW](#) [97-3108B16S-4PY-417](#) [97-3108B16S-4PX-417](#) [97-3108B16S-5PY-417](#) [97-3108B16S-4PW-417](#) [CS-DSDMDB37MF-025](#) [97-3108B16S-5PZ-417](#) [TV06RW-25-46AE](#) [TVS07RF-21-16AA](#) [TVS07RF-21-39BA](#) [CF-5A9013-04N](#) [CF-6A4615-06N](#) [GTC02R32-17S-025-RDS](#) [GTC02R32-17S-025-RDS-LC](#) [GTC02R32-17S-025-LC](#) [PT06SE-24-61P\(LC\)](#) [GTC06-22-13SW](#) [GTC06-22-13SY](#) [GTS06G-36-10S](#) [GTC06-22-13S-025-B30-LC](#) [GTC06-22-13SW-025-LC](#) [GTC06-22-13SX-025-B30](#) [GTC06-22-13SZ-025](#) [GTC06-22-13SZ-025-LC](#) [GTC06-22-13S-025-LC](#) [GTC06-22-13SW-025-B30](#) [GTC06-22-13SW-025-B30-LC](#) [GTC06-22-13SX-025-B30-LC](#) [GTC06-22-13SX-025-LC](#) [GTC06-22-13SY-025-B30](#) [GTC06-22-13SY-025-B30-LC](#) [GTC06-22-13SY-025-LC](#) [GTC06-22-13SZ-025-B30](#) [GTC06-22-13SZ-025-B30-LC](#) [GTC06-22-13SW-025](#) [GTC06-22-13SX-025](#)