

ACR-12-05-G-00.25-T-S1-M-4

**ACR-12 SERIES**

# IP68 SEALED 12 mm PANEL ASSEMBLY

**SPECIFICATIONS**

For complete specifications see [www.samtec.com?ACR-12](http://www.samtec.com?ACR-12)

**Insulator Material:** Thermoplastic

**Terminal Material:** Brass  
**Contact Material:** Brass/BeCu  
**Plating:** Au over 50µ" (1,27 µm) Ni

**Operating Temp Range:** -40°C to +80°C

**Housing:** -P: Black Nylon  
-M: Zinc Alloy

**RoHS Compliant:** Yes

**Mates with:** ACP-12, ACPK-12

**THINK OUTSIDE THE CATALOG**

- Easy sealed cable solutions
- Build a standard or flexible custom online
- Calculate performance, current rating, voltage drop
- Live chat with AccliMate™ engineers for custom options
- Variety of shells, pin sizes, signal, power, I/O interfaces
- Assembly and field kits available



**ALSO AVAILABLE (MOQ Required)**

- Other assembly lengths
- Contact Samtec.

CURRENT RATING		
LEAD STYLE	PINS POWERED	CCC per PIN
-01	4	3.8 A
-02	5	3.6 A
-03	6	1.9 A
-04	8	1.8 A
-05	2 (plus 4 signal pins powered @ 1.2 A)	5.0 A

For general reference only. See [www.samtec.com?ACR-12](http://www.samtec.com?ACR-12) for complete test data or contact [AccliMate@samtec.com](mailto:AccliMate@samtec.com) for applications requiring higher current carrying capacity.

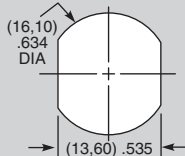
**DUST CAPS**

- DCA-ACR-12-M-X (Metal)
- DCA-ACR-12-P-X (Plastic)



- Visit [sealedio.samtec.com](http://sealedio.samtec.com) for a complete list of sealed systems

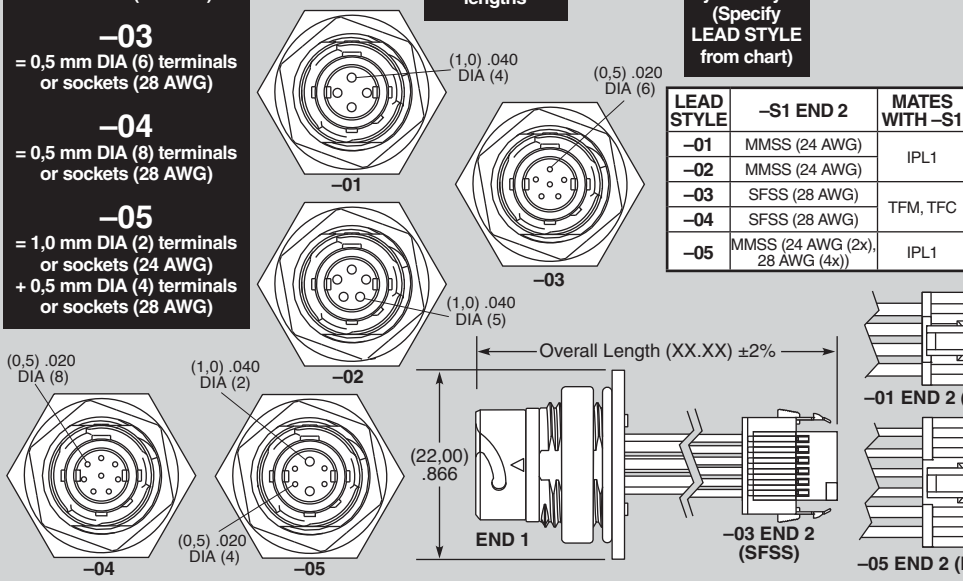
**PANEL OPENING**



**Note:** Some lengths, styles and options are non-standard, non-returnable.

**ACR - 12 - LEAD STYLE - PLATING - LENGTH - END 1 - END 2 - HOUSING MATERIAL - KEYING OPTIONS**

- 01** = 1,0 mm DIA (4) terminals or sockets (24 AWG)
- 02** = 1,0 mm DIA (5) terminals or sockets (24 AWG)
- 03** = 0,5 mm DIA (6) terminals or sockets (28 AWG)
- 04** = 0,5 mm DIA (8) terminals or sockets (28 AWG)
- 05** = 1,0 mm DIA (2) terminals or sockets (24 AWG) + 0,5 mm DIA (4) terminals or sockets (28 AWG)
- G** = 10µ" (0,25 µm) Gold over 50µ" (1,27 µm) Ni on contact
- "XX.XX"** = Length in meters (00.20 m min. to 50.00 m max.) Standard lengths
- T** = Terminal
- S** = Socket
- BC** = Blunt Cut
- S1** = Connector determined by lead style. (Specify LEAD STYLE from chart)
- P** = Plastic
- M** = Metal
- 1** = Orange, 45°
- 2** = Green, 135°
- 3** = Blue, 225°
- 4** = Yellow, 315°



LEAD STYLE	-S1 END 2	MATES WITH -S1
-01	MMSS (24 AWG)	IPL1
-02	MMSS (24 AWG)	IPL1
-03	SFSS (28 AWG)	TFM, TFC
-04	SFSS (28 AWG)	TFM, TFC
-05	MMSS (24 AWG (2x), 28 AWG (4x))	IPL1

## X-ON Electronics

Largest Supplier of Electrical and Electronic Components

*Click to view similar products for [D-Sub Micro-D Connectors](#) category:*

*Click to view products by [Samtec](#) manufacturer:*

Other Similar products are found below :

[M243082311F](#) [M2430834F](#) [M24308/4-6F](#) [65-1920-15](#) [M83513/01-HN](#) [M83513/03-A10N](#) [M83513/03-B14C](#) [M83513/03-D09C](#) [M83513/03-D11N](#) [M83513/03-G02N](#) [M83513/03-G05N](#) [M83513/03-G08C](#) [M83513/03-G09N](#) [M83513/03-G12N](#) [M83513/03-H13N](#) [M83513/04-E15N](#) [M83513/04-G04C](#) [M83513/10-E01NP](#) [M83513/13-B01NP](#) [M83513/13-C01NN](#) [M83513/16-A01CP](#) [M83513/22-D01NP](#) [M83513/25-B01NP](#) [6R2004A30F015](#) [6R4006A28A120](#) [703006A13F060](#) [704002A03F200](#) [705001A13F120](#) [7-1532020-5](#) [748567-1-P](#) [MDB1-31SH003](#) [MDM-15PBS-L58](#) [MDM-15PCBRM7T](#) [MDM-15PH003B-A174](#) [75-068624-59S](#) [MDM-15PH034B](#) [MDM-15SH001L](#) [MDM-15SH004B](#) [MDM-21PH003K](#) [MDM-25PH003B-A174](#) [MDM-25PHW01F-A174](#) [MDM-37PH006L-A174](#) [MDM-37PH048M5-A174](#) [MDM-37SCBRP-A174](#) [MDM-51PBS-L56](#) [MDM-51PSF](#) [MDM-51SH003M7](#) [MDM-51SSM7-A174](#) [MDM-9PBSP-L58](#) [MDM-9PH003M7](#)